

NOTES:

- 1. ① to ⑯ see parts list (D15-816-RAET-XXXX-4).
- ② Customer specified 'U' length.
- ③ Install top and bottom mounted units in horizontal pipe with flow arrow \longleftrightarrow parallel to flow direction.

Information contained in this document is confidential and proprietary information of Telematic Controls Inc. This document may not be reproduced or distributed for any reason without express written permission of Telematic Controls Inc. All rights of design, invention and copyright are reserved.

Rev	Description	App.	Date
0	Initial release	Chidley	14May98
1	Edited text		08Apr11
2	Changed footer note. Added confidential note. Modified Title box & Rev. Table. Modified notes. Deleted 4 triangle and dim.	TDH	03Jun13

APPROVALS		DATE
DRN	MW	17MAY13
CHKD	EC	23MAY13
APP	TDH	03JUN13

All dimensions are shown in inches with cm shown in brackets

TOLERANCES ARE:

DECIMALS	ANGLES
.X ± 0.1	±0.5°
.XX ± 0.02	
.XXX ± 0.007	

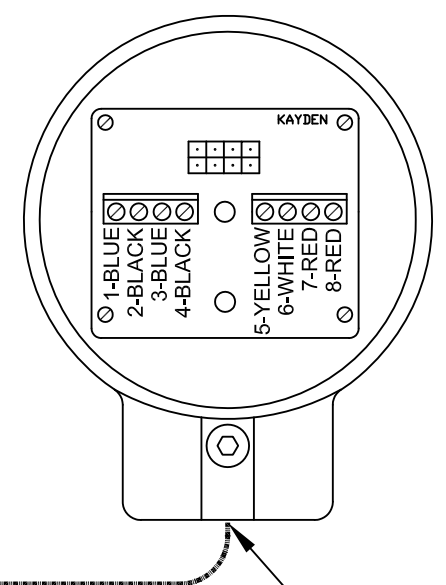
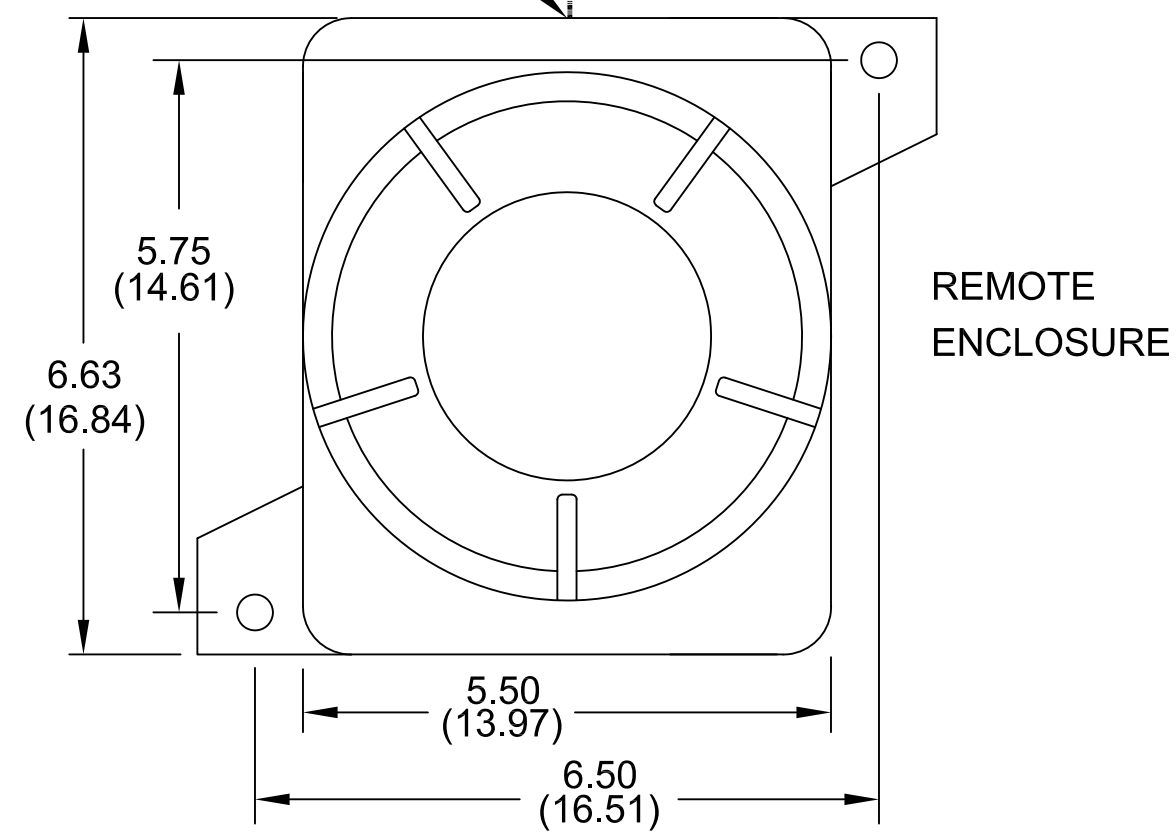
TITLE CLASSIC 816 Series
Packing Gland - Threaded - 1" MNPT
 Low Pressure (50 psi)
 Remote Electronics

SIZE A3	DWG NO. D15-816-RAET-XXXX-3	REV 2
SCALE NTS		SHEET 1 OF 4

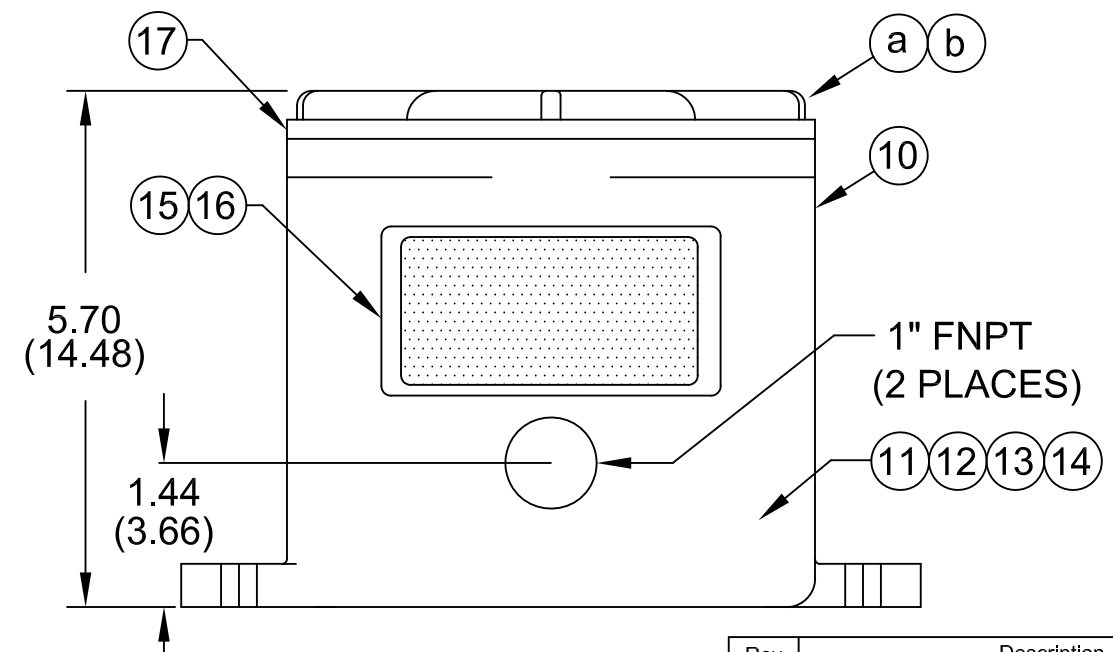
1" FNPT ELECTRONIC CONNECTION

FIELD WIRING

SENSOR ENCLOSURE



1" FNPT ELECTRICAL CONNECTION



Information contained in this document is confidential and proprietary information of Telematic Controls Inc. This document may not be reproduced or distributed for any reason without express written permission of Telematic Controls Inc. All rights of design, invention and copyright are reserved.

APPROVALS		DATE	
DRN	MW	13MAY13	
CHKD	EC	21MAY13	
APP	TDH	03JUN13	
All dimensions are shown in inches with cm shown in brackets TOLERANCES ARE: DECIMALS ANGLES .X ± 0.1 ±0.5° .XX ± 0.02 .XXX ± 0.007			TITLE CLASSIC Series Remote Electronics Flameproof Enclosure (CSA)
SIZE	DWG NO.	REV	
A3	7730-0000-1-CSA	0	
SCALE NTS		SHEET 3 OF 4	

Rev	Description	App.	Date
0	Initial release	TDH	03Jun13

NOTES:
1. Wire according to connection diagram.

