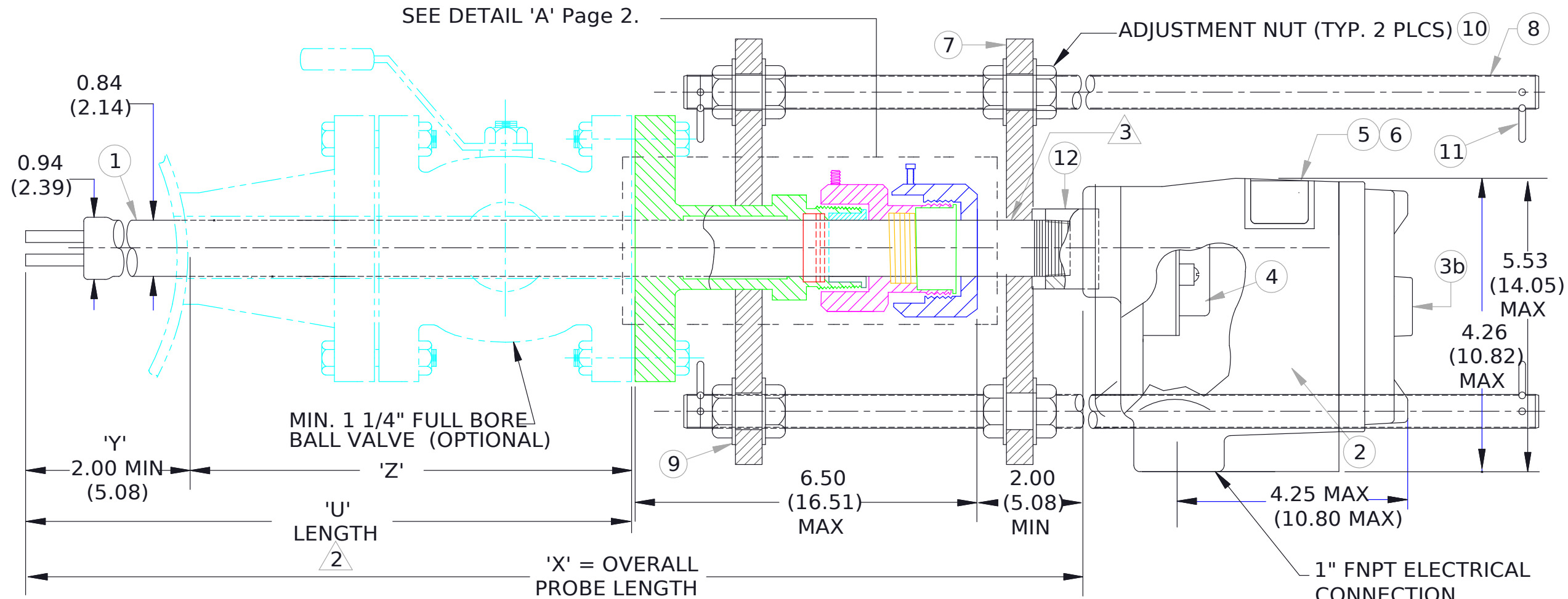


REVISIONS				
ZONE	REV.	DESCRIPTION	DATE	APPROVE
All	0	Initial Release	09May02	Webster
	1	Edited text	13Apr11	
	2	Changed footer note. Added confidential note. Modified title box & rev. table. Modified one dim. Added on item 12. Added "-MI" on note *1.a). Changed P/N Item 7.	26Jan11	
	3	Changed footer note. Added confidential note. Modified title box & rev. table.	03Jun13	TDH



NOTES:

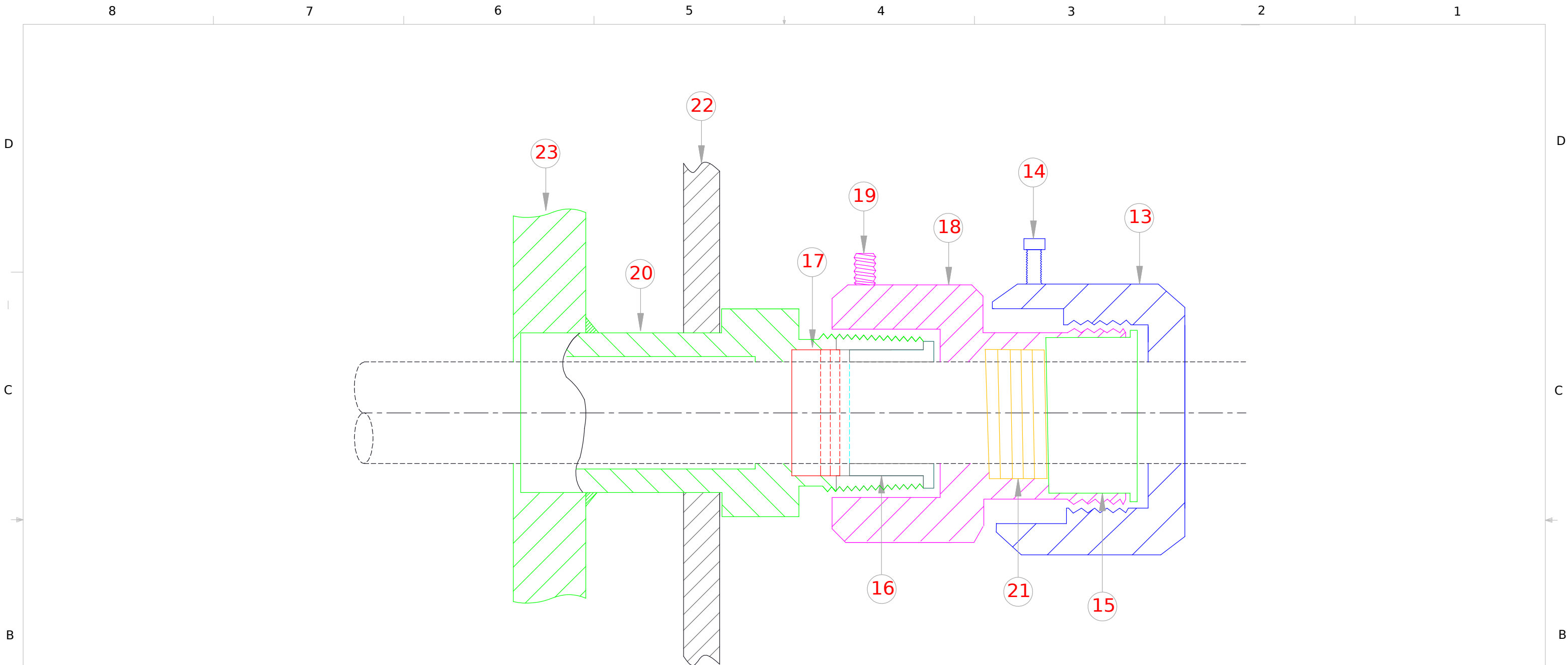
- 1. ① to ⑫ see parts list page 3
- ⑬ Customer specified 'U' length.
- ⑭ Install top and bottom mounted units in horizontal pipe with flow arrow  $\longleftrightarrow$  parallel to flow direction.
- 5. Flange: Size: \_\_\_\_\_ Material: \_\_\_\_\_

UNLESS OTHERWISE SPECIFIED:		NAME	DATE
DIMENSIONS ARE IN INCHES		DRAWN	MW 13MAY13
TOLERANCES:		CHECKED	EC 22MAY13
ANGULAR: 0.5°		ENG APPR.	TDH 03JUN13
ONE PLACE DECIMAL ±0.1			
TWO PLACE DECIMAL ±0.02			
THREE PLACE DECIMAL ±0.007			
INTERPRET GEOMETRIC TOLERANCING PER:		COMMENTS:	
MATERIAL			
FINISH			
DO NOT SCALE DRAWING			



TITLE:  
**CLASSIC 814 Series**  
**Packing Gland - Flanged - 1" MNPT**  
**Medium Pressure (275 PSI)**  
**Remote Electronics**

SIZE	DWG. NO.	REV
<b>B</b>	D15-814-RAAYYAX-IXXXX-RE	3



**NOTES:**

- All components - 316 Stainless Steel  
(except packing and front support)

UNLESS OTHERWISE SPECIFIED:		NAME	DATE
DIMENSIONS ARE IN INCHES	DRAWN	MW	13MAY13
TOLERANCES:	CHECKED	EC	21MAY13
ANGULAR: 0.5°	ENG APPR.	TDH	03JUN13
ONE PLACE DECIMAL 0.1			
TWO PLACE DECIMAL 0.02			
THREE PLACE DECIMAL 0.007			
INTERPRET GEOMETRIC TOLERANCING PER:	COMMENTS:		
MATERIAL			
FINISH			
DO NOT SCALE DRAWING			



TITLE: CLASSIC 814 Series  
Packing Gland - Flanged - 1" MNPT  
Medium Pressure (275 PSI)  
Local/Remote Electronics: Detail 'A'

SIZE	DWG. NO.	REV
<b>B</b>	D15-814-RAAYYAX-IXXXX-RE	3

## BOM

ITEM	DESCRIPTION	PART NUMBER	QTY
*1	Sensor Assembly; (probe only)	P322-RAEXXX	1
2	Flameproof Enclosure (1" x 1" FNPT)	N10-100A-E	1
3a	<input type="checkbox"/> Glass Lens Cover - Flameproof	M10-1G00	1
3b	<input checked="" type="checkbox"/> Blind Cover - Flameproof	M10-1B00	1
4	Remote Terminal Assembly For Sensor Enclosure	1790-0622-C	1
5	Nameplate, Foil	2400-0002	1
6	Nameplate, Overlay	2401-0001	1
7	Rear Support, Medium Pressure	2510-0311-1	1
8	5/8" Threaded Rod - Modified	2510-0414	'U'+11"
9	5/8" Flat Washer	2510-0427	8
10	Hex Nut, 5/8" UNC	2510-0417	8
11	Cotterpin	2510-0415	4
12	Hardware Reducer (integral to Item 7)		
***** ITEMS 13 THROUGH 23 REFER TO PAGE 2 (DETAIL 'A') *****			
13	Nut	2510-0305-B	1
14	Hex Cap Screw, 1/4" - 28 x 1/2" SS	2540-0020	4
15	Packing Follower	2510-0307-B	1
16	Seal Follower	2510-0304-B	1
17	Seal (U-Cup)	2510-0440	1
18	Nut w/Coupling	2510-0306-B	1
19	Stainless Steel Set Screw, 10-24 x 3/8" Allen	2540-0021	1
20	Sleeve	2510-0300-B	1
21	1/8" SQ. Teflon	Z2510-0429	A/R
22	Front Support, Medium Pressure	2510-0413-1	1
23	Flange	YYY	1

## NOTES:

## \*1. a) Sensor Assembly Selection Guide:

P22-RAAYYAX-IXXXX-M Where XXXX = Desired Probe 'U' Length.

eg. 'U' Length = 3.5" = P22-RAAYYAX-I0035-M or 36" = P22-RAAYYAX-I0360-M

b) I = Imperial (inches)

M = Metric (cm)

c) P22-RAAYYAX-IXXXX-M (Where YYY = Code for type of flange)

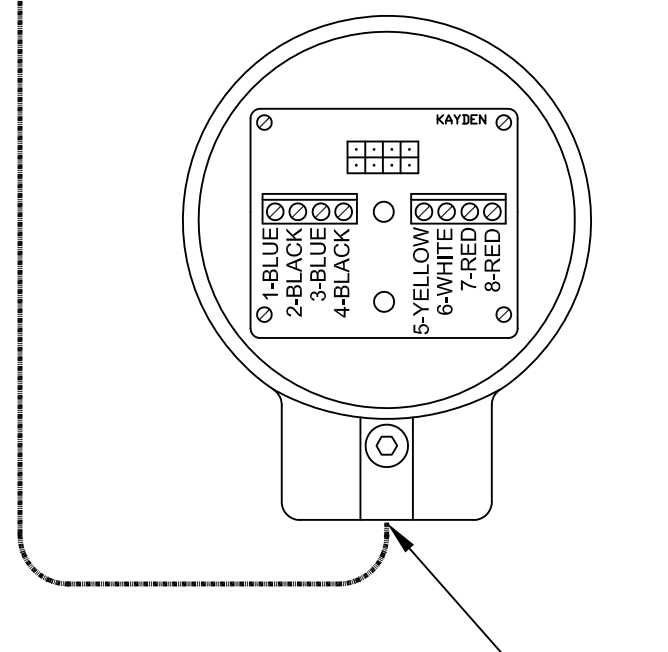
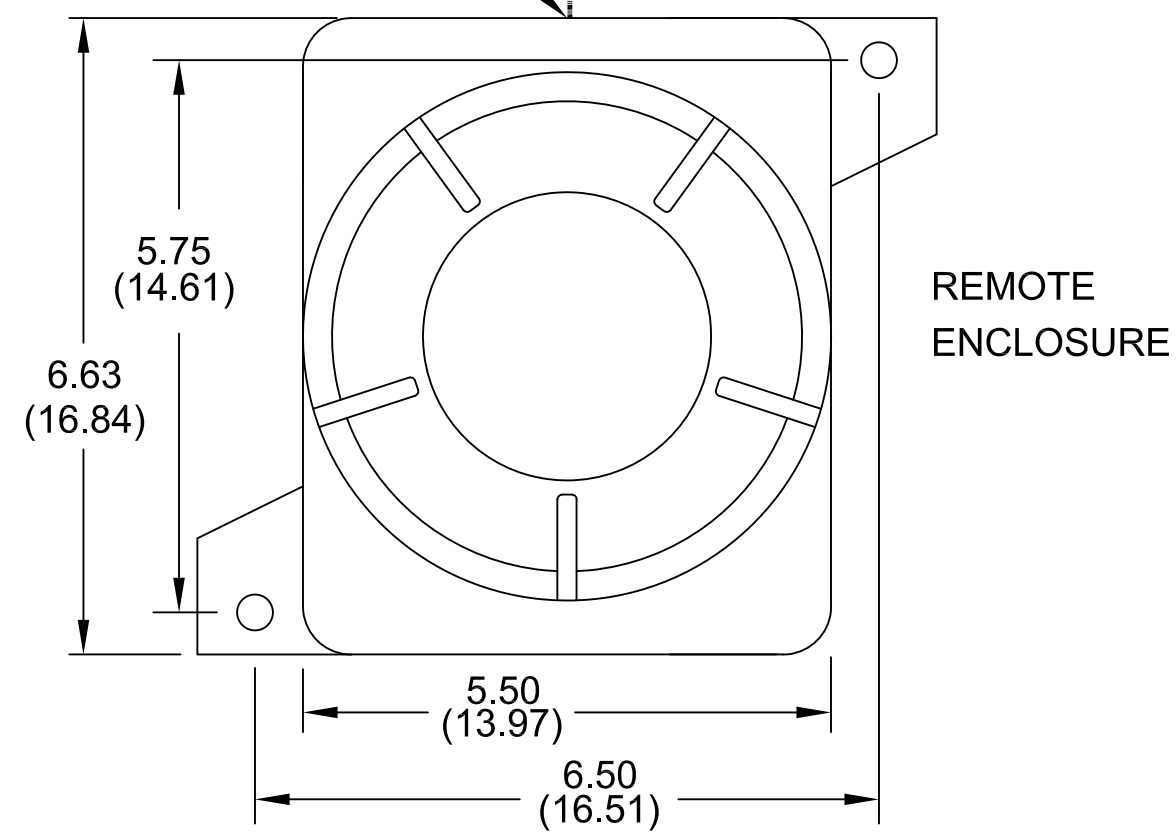
eg. Flange = 1 1/2". 150# = (P22-RAA131AX-IXXXX-M) See flange list

UNLESS OTHERWISE SPECIFIED:		NAME	DATE	<b>KAYDEN</b> INSTRUMENTS	
DIMENSIONS ARE IN INCHES		DRAWN	MW		16MAY13
TOLERANCES: ANGULAR: 0.5° ONE PLACE DECIMAL ±0.1 TWO PLACE DECIMAL ±0.02 THREE PLACE DECIMAL ±0.007		CHECKED	EC		22MAY13
		ENG APPR.	TDH		03JUN13
INTERPRET GEOMETRIC TOLERANCING PER:				TITLE: CLASSIC 814 Series Packing Gland - Flanged - 1" MNPT Medium Pressure (275 PSI) Remote Electronics	
MATERIAL					
FINISH		COMMENTS:			
DO NOT SCALE DRAWING		SIZE	DWG. NO.	REV	
		<b>B</b>	D15-814-RAAYYAX-IXXXX-RE	3	
		SCALE: NTS	WEIGHT:	SHEET 3 OF 5	

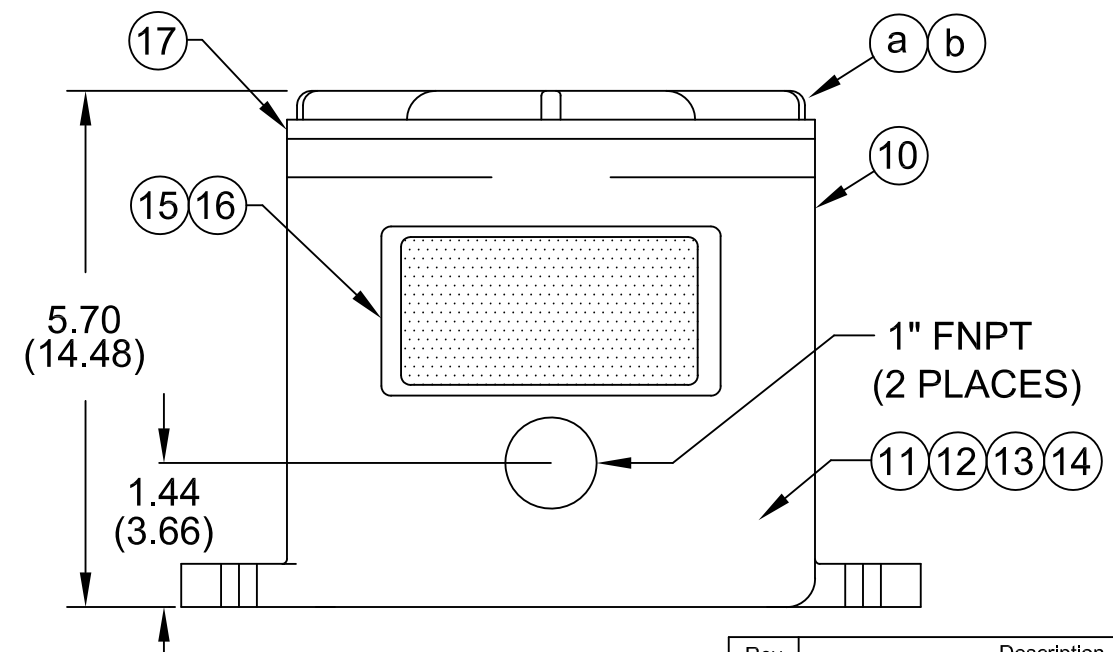
1" FNPT ELECTRONIC CONNECTION

FIELD WIRING

SENSOR ENCLOSURE



1" FNPT ELECTRICAL CONNECTION



Information contained in this document is confidential and proprietary information of Telematic Controls Inc. This document may not be reproduced or distributed for any reason without express written permission of Telematic Controls Inc. All rights of design, invention and copyright are reserved.

APPROVALS	DATE
DRN MW	13MAY13
CHKD EC	21MAY13
APP TDH	03JUN13

**KAYDEN**<sup>®</sup>  
INSTRUMENTS

All dimensions are shown in inches with cm shown in brackets

TOLERANCES ARE:

DECIMALS	ANGLES
.X ± 0.1	±0.5°
.XX ± 0.02	
.XXX ± 0.007	

TITLE CLASSIC Series Remote Electronics Flameproof Enclosure (CSA)

SIZE A3	DWG NO. 7730-0000-1-CSA	REV 0
SCALE NTS		SHEET 4 OF 5

Rev	Description	App.	Date
0	Initial release	TDH	03Jun13

NOTES:  
1. Wire according to connection diagram.

