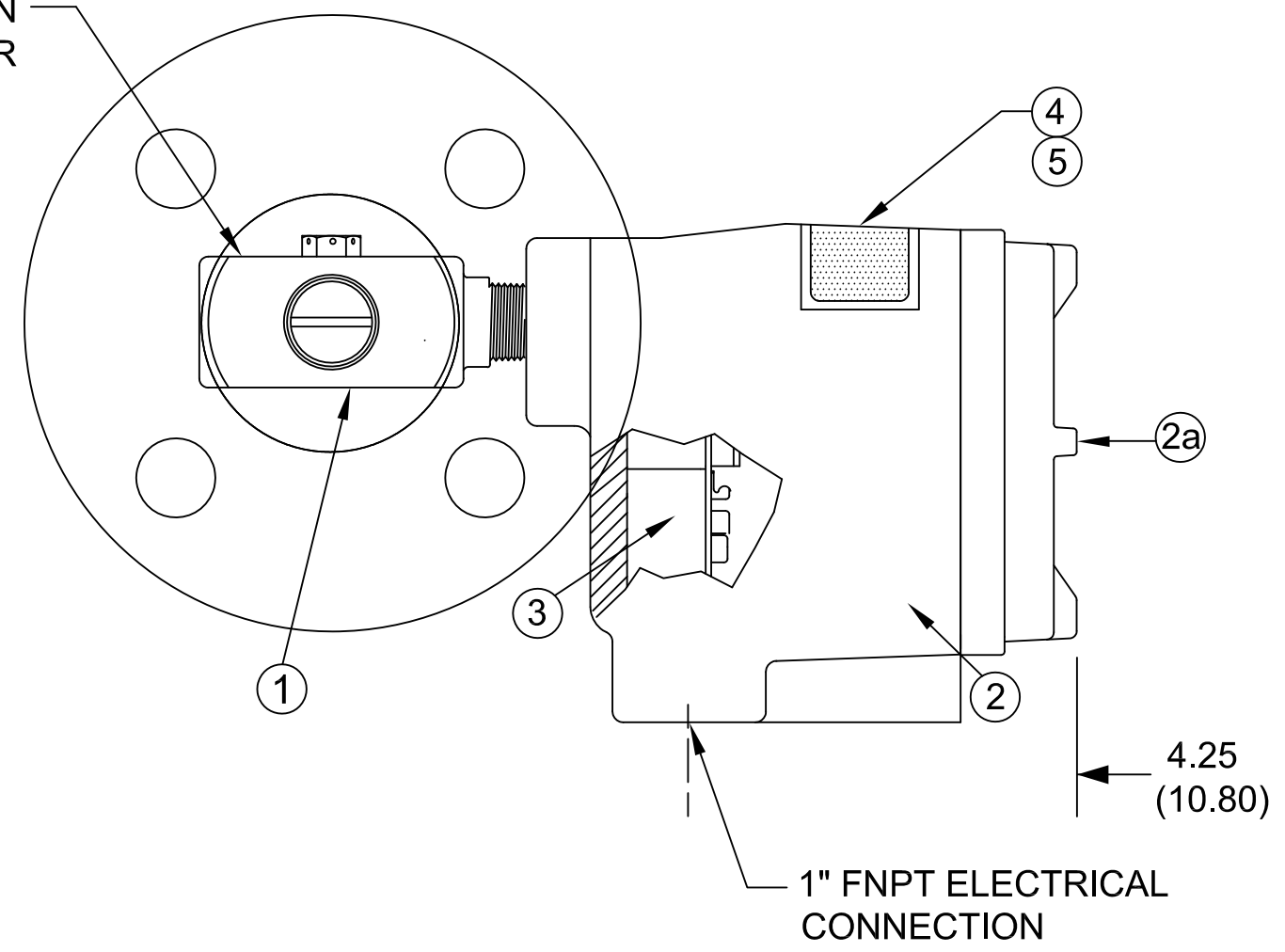


FLOW  
DIRECTION  
INDICATOR



**NOTES:**

- ① Flange
- ② Customer specified 'A' length

Information contained in this document is confidential and proprietary information of Telematic Controls Inc. This document may not be reproduced or distributed for any reason without express written permission of Telematic Controls Inc. All rights of design, invention and copyright are reserved.

Rev	Description	App.	Date
0	Initial release	Chidley	16Jul02
1	Edited text and dims		25Jan11
2	Changed footer note. Added confidential note. Modified Title box & Rev. Table	TDH	04Jun13

APPROVALS		DATE			
DRN	MW	15MAY13			
CHKD	EC	23MAY13			
APP	TDH	04Jun13	TITLE CLASSIC 832 Series Flanged InLine Horizontal with Bleed Port Remote Electronics		
All dimensions are shown in inches with cm shown in brackets  TOLERANCES ARE: DECIMALS      ANGLES .X ± 0.1            ±0.5° .XX ± 0.02 .XXX ± 0.007			SIZE A3	DWG NO. D15-832-RA3-XXXXX-AH-1	REV 2
SCALE NTS				SHEET 1 OF 4	

ITEM	DESCRIPTION	PART NUMBER	QTY
*1	Sensor ; InLine ; Flanged	Custom	1
2	Flameproof Enclosure (1" x 1" FNPT)	N10-100A-E	1
	c/w Terminal Assembly		
a	<input checked="" type="checkbox"/> Glass Lens Cover - Flameproof	M10-1G00	1
b	<input type="checkbox"/> Blind Cover - Flameproof	M10-1B00	1
3	Remote Terminal Assembly for Sensor Electronics	1790-0622-C	1
4	Nameplate, Foil	2400-0002	1
5	Nameplate, Overlay	2401-0001	1


**\*1. Flanged Sensor Assembly Selection Guide:**

The CLASSIC - Flanged Series are built to our customer's specific requirements. Please specify the following.

- 1) 'U' length
- 2) Flange size & material
- 3) Sensor material
- 4) No injection tube; 1/8" I.D. injection tube, or 1/4" I.D. injection tube

Information contained in this document is confidential and proprietary information of Telematic Controls Inc. This document may not be reproduced or distributed for any reason without express written permission of Telematic Controls Inc. All rights of design, invention and copyright are reserved.

Rev	Description	App.	Date		
0	Initial release	Chidley	17Jul02		
1	Edited text		25Jan11		
2	Changed footer note. Added cnfidential note. Modified Title box & Rev. Table.	TDH	04Jun13		

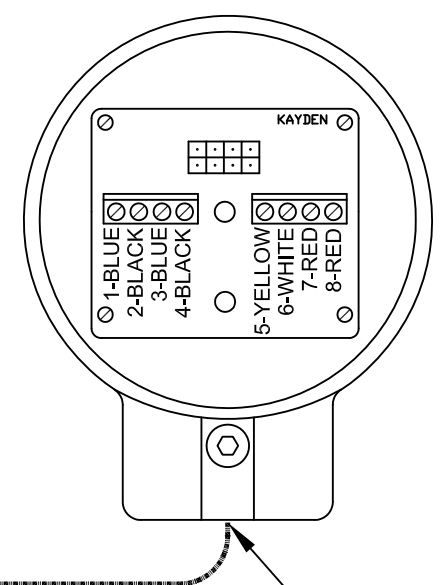
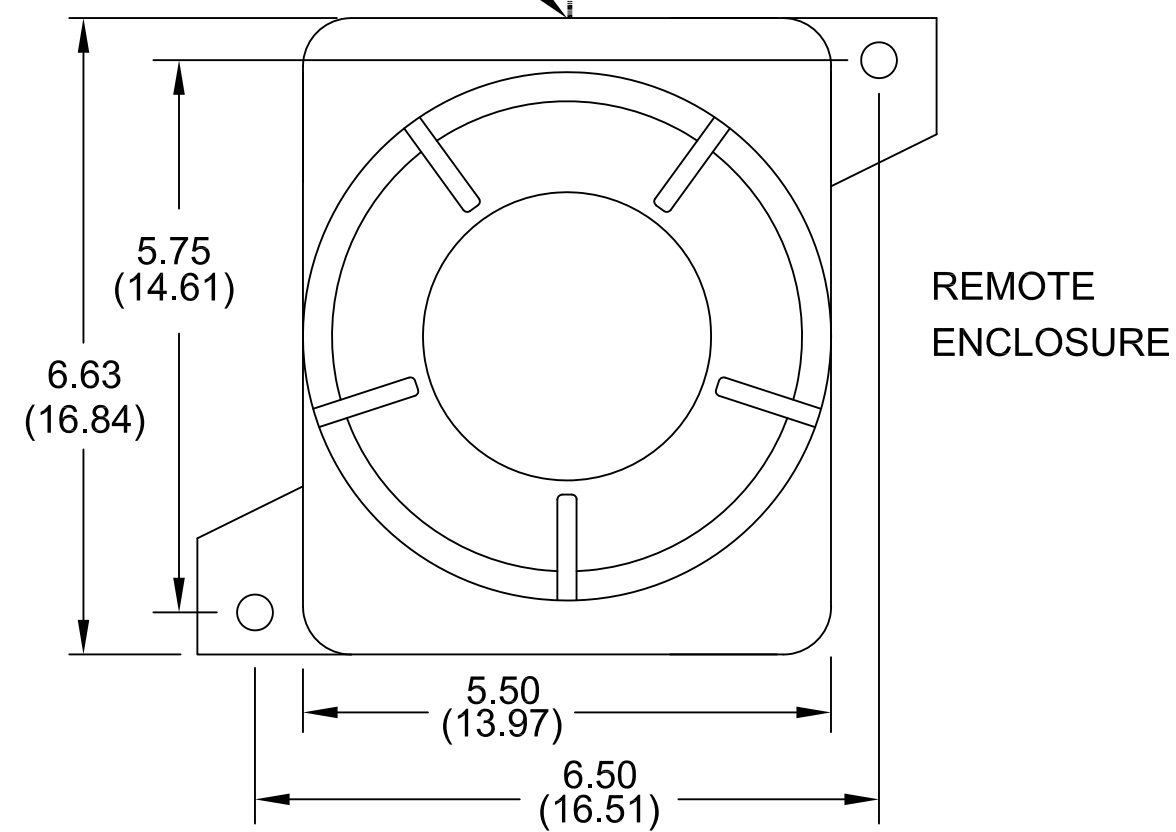
APPROVALS	DATE	
DRN MW	15MAY13	
CHKD EC	23MAY13	
APP TDH	04Jun13	
TITLE Parts List - CLASSIC 832 Series Flanged InLine Horizontal with Bleed Port Remote Electronics		
SIZE A3	DWG NO. D15-832-RA3-XXXXX-AH-1	REV 2
SCALE NTS		SHEET 2 OF 4

All dimensions are shown in inches with cm shown in brackets  
 TOLERANCES ARE:  
 DECIMALS ANGLES  
 .X ± 0.1 ±0.5°  
 .XX ± 0.02  
 .XXX ± 0.007

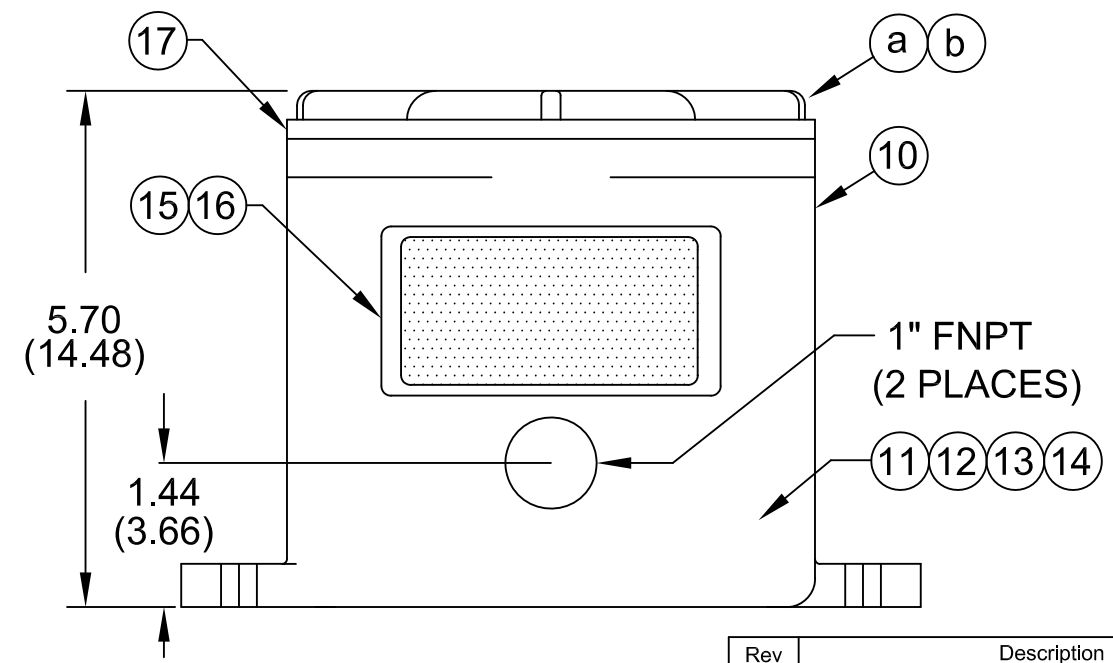
1" FNPT ELECTRONIC CONNECTION

FIELD WIRING

SENSOR ENCLOSURE



1" FNPT ELECTRICAL CONNECTION



Information contained in this document is confidential and proprietary information of Telematic Controls Inc. This document may not be reproduced or distributed for any reason without express written permission of Telematic Controls Inc. All rights of design, invention and copyright are reserved.

APPROVALS	DATE
DRN MW	13MAY13
CHKD EC	21MAY13
APP TDH	03JUN13

**KAYDEN**<sup>®</sup>  
INSTRUMENTS

All dimensions are shown in inches with cm shown in brackets

TOLERANCES ARE:

DECIMALS	ANGLES
.X ± 0.1	±0.5°
.XX ± 0.02	
.XXX ± 0.007	

TITLE  
**CLASSIC Series Remote Electronics Flameproof Enclosure (CSA)**

SIZE A3	DWG NO. 7730-0000-1-CSA	REV 0
------------	----------------------------	----------

SCALE NTS SHEET 3 OF 4


Rev	Description	App.	Date
0	Initial release	TDH	03Jun13

**NOTES:**  
1. Wire according to connection diagram.

ITEM	DESCRIPTION	PART NUMBER	QTY
10	Flameproof Remote Enclosure	1409-1201	1
a	<input type="checkbox"/> Glass Lens Cover - Flameproof	1409-1208	1
b	<input type="checkbox"/> Blind Cover - Flameproof	1409-1207	1
11	Terminal Assembly	2511-0012	1
12	Ground Screw	2540-0023	1
13	CLASSIC Electronics Module	L10-800-C-E	1
14	Mounting Screws (316 SS)	2540-0007	2
15	Nameplate, Foil	2400-0007	1
16	Nameplate, Overlay	2401-0001	1
17	Cover Gasket	1499-1301	1

Information contained in this document is confidential and proprietary information of Telematic Controls Inc. This document may not be reproduced or distributed for any reason without express written permission of Telematic Controls Inc. All rights of design, invention and copyright are reserved.

Rev	Description	App.	Date	<table border="1"> <tr> <th colspan="2">APPROVALS</th> <th>DATE</th> </tr> <tr> <td>DRN</td> <td>MW</td> <td>13MAY13</td> </tr> <tr> <td>CHKD</td> <td>EC</td> <td>21MAY13</td> </tr> <tr> <td>APP</td> <td>TDH</td> <td>03JUN13</td> </tr> </table>	APPROVALS		DATE	DRN	MW	13MAY13	CHKD	EC	21MAY13	APP	TDH	03JUN13
	APPROVALS		DATE													
	DRN	MW	13MAY13													
	CHKD	EC	21MAY13													
APP	TDH	03JUN13														
0	Initial release	TDH	03Jun13													

All dimensions are shown in inches with cm shown in brackets		
TOLERANCES ARE:		
DECIMALS	ANGLES	
.X ± 0.1 .XX ± 0.02 .XXX ± 0.007	±0.5°	

TITLE	Parts List - CLASSIC Series Remote Electronics Flameproof Enclosure (CSA)	
SIZE	DWG NO.	REV
A3	7730-0000-2-CSA	0
SCALE	NTS	SHEET 4 OF 4