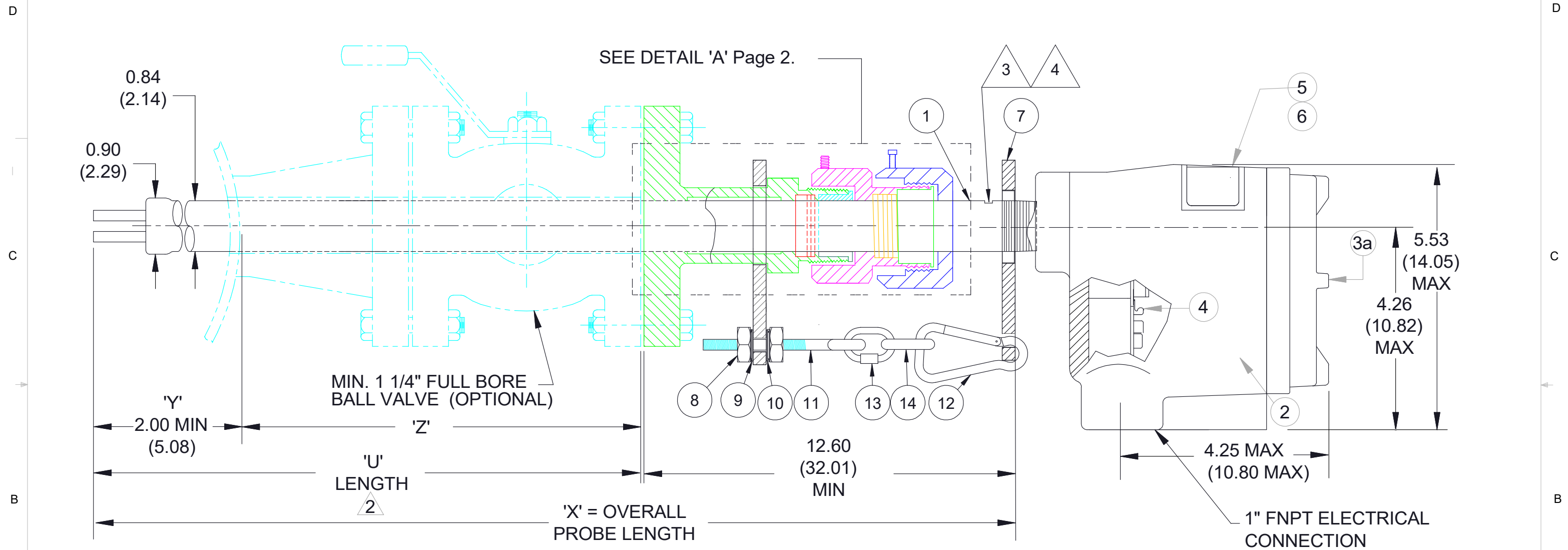


REVISIONS				
ZONE	REV.	DESCRIPTION	DATE	APPROVED
All	1	Initial Release	19MAR23	



NOTES:

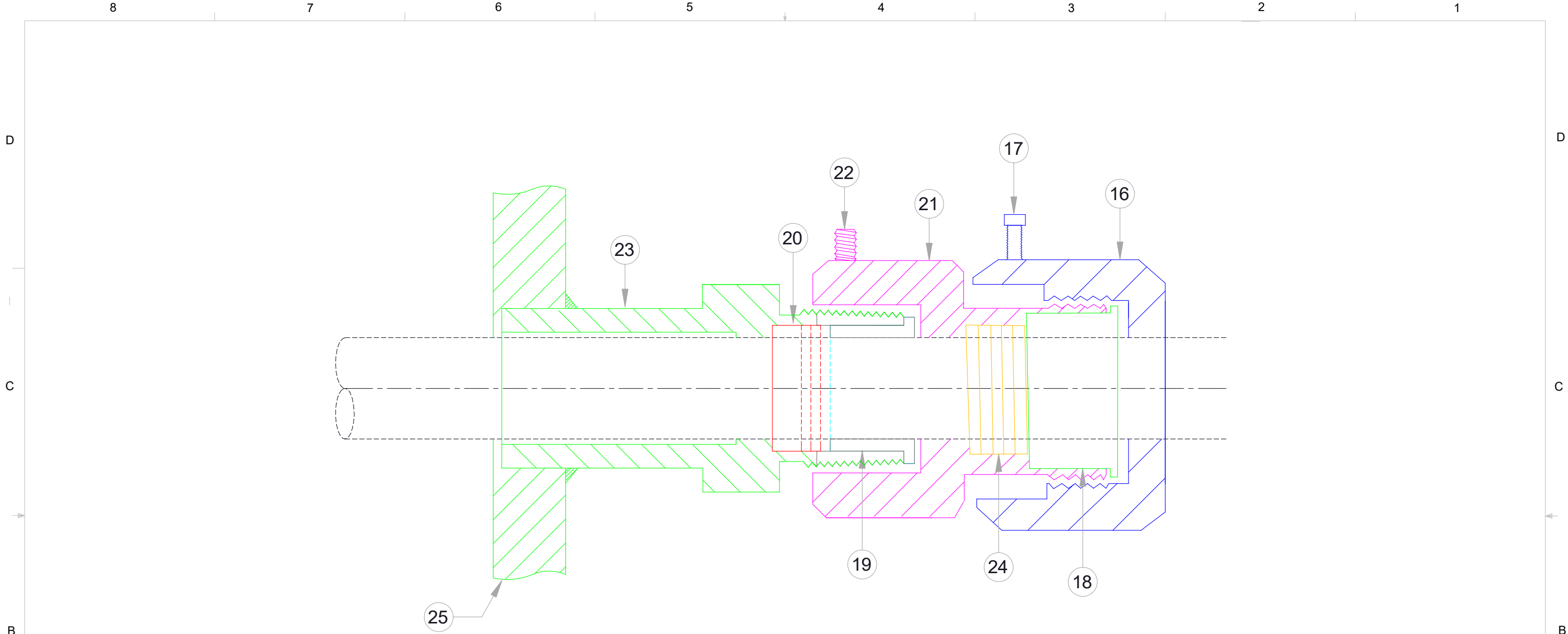
- 1. (1) to (6) see parts list.
- 2. Customer specified 'U' length. 'U' =
- 3. 4. Install top and bottom mounted units in horizontal pipe with flow arrow \longleftrightarrow parallel to flow direction.
- 5. Flange: Size: _____ Material: _____

UNLESS OTHERWISE SPECIFIED:	NAME	DATE
DIMENSIONS ARE IN INCHES	DRAWN NSP	19MAR23
TOLERANCES: ANGULAR: 0.5° ONE PLACE DECIMAL ±0.1 TWO PLACE DECIMAL ±0.02 THREE PLACE DECIMAL ±0.007	CHECKED	
INTERPRET GEOMETRIC TOLERANCING PER:	ENG APPR.	
MATERIAL	COMMENTS:	
FINISH		
DO NOT SCALE DRAWING		



TITLE:
CLASSIC 814 Series
 Packing Gland - Flanged - 1" MNPT
 Low Pressure (125 PSI) w/Safety Chain
 Remote Electronics

SIZE	DWG. NO.	REV
B	814-RAAYYYAJ-IXXXX-RE	1



NOTES:

1. All components - 316 Stainless Steel
(except packing)

UNLESS OTHERWISE SPECIFIED:		NAME	DATE
DIMENSIONS ARE IN INCHES	DRAWN	NSP	19MAR23
TOLERANCES: ANGULAR: 0.5° ONE PLACE DECIMAL ±0.1 TWO PLACE DECIMAL ±0.02 THREE PLACE DECIMAL ±0.007	CHECKED		
INTERPRET GEOMETRIC TOLERANCING PER:	ENG APPR.		
MATERIAL	COMMENTS:		
FINISH			
DO NOT SCALE DRAWING			

KAYDEN[®]
I N S T R U M E N T S

TITLE: CLASSIC 814 Series
Packing Gland - Flanged - 1" MNPT
Low Pressure (125 PSI) w/Safety Chain
Local/Remote Electronics: Detail 'A' Drawing

SIZE	DWG. NO.	REV
B	814-RAAYYYAJ-IXXXX-RE	1

BOM

ITEM	DESCRIPTION	PART NUMBER	QTY
*1	Sensor Assembly, (probe only)	P32-RAEJXXXX	1
2	Flameproof Enclosure (1" x 1" FNPT)	N10-100A-E	1
3a	<input checked="" type="checkbox"/> Glass Lens Cover - Flameproof	M10-1G00	1
3b	<input type="checkbox"/> Blind Cover - Flameproof	M10-1B00	1
4	Remote Terminal Assembly for Sensor Enclosure	1790-0622-C	1
5	Nameplate, Foil	2400-0002	1
6	Nameplate, Overlay	2401-0001	1
7	Rear Support, Low Pressure w/Chain (w/ integral reducer)	2510-0311	1
8	5/16" Nut, SS	2510-0418	2
9	5/16" Lock Washer, SS	2510-0424	2
10	5/16" Flat Washer, SS	2510-0425	2
11	5/16" x 4 1/4" Eyebolt-Galv. CS	2510-0433	1
12	Snap Spring, 1/2" SS	2510-0435	1
13	3/16" Quick Link, SS	2510-0436	1
14	3/16" Zinc Plated Chain	2510-0437	4
***** ITEMS 16 THROUGH 25 REFER TO PAGE 2 (DETAIL 'A') *****			
16	Nut	2510-0413-2	1
17	Hex Cap Screw, 1/4" - 28 x 1/2" SS	2540-0020	2
18	Packing Follower	2510-0307-B	2
19	Seal Follower	2510-0304-B	1
20	Seal (U-Cup)	2510-0440	1
21	Nut w/Coupling	2510-0306-B	17"
22	Stainless Steel Set Screw, 10-24 x 3/8" Allen	2540-0021	1
23	Sleeve	2510-0300-B	1
24	1/8" SQ. Teflon	Z2510-0429	1
25	Flange	YYY	1

NOTES:

*1. a) Sensor Assembly Selection Guide:

P22-RAAYYYAJ-IXXXX-M Where XXXX = Desired Probe 'U' Length.

eg. 'U' Length = 3.5" = P22-RAAYYYAT-I0035-M or 36" = P22-RAAYYYAJ-I0360-M

b) I = Imperial (inches)

M = Metric (cm)

c) P22-RAAYYYAJ-IXXXX-M (Where YYY = Code for type of flange)

eg. Flange = 1 1/2". 150# = (P22-RAA131AJ-IXXXX-M) See flange list

UNLESS OTHERWISE SPECIFIED:		NAME	DATE
DIMENSIONS ARE IN INCHES	DRAWN	NSP	19MAR23
TOLERANCES: ANGULAR: 0.5° ONE PLACE DECIMAL ±0.1 TWO PLACE DECIMAL ±0.02 THREE PLACE DECIMAL ±0.007	CHECKED		
INTERPRET GEOMETRIC TOLERANCING PER:	ENG APPR.		
MATERIAL			
FINISH	COMMENTS:	SIZE	DWG. NO.
DO NOT SCALE DRAWING		B	814-RAAYYYAJ-IXXXX-RE
		SCALE: NTS	WEIGHT: SHEET 3 OF 5



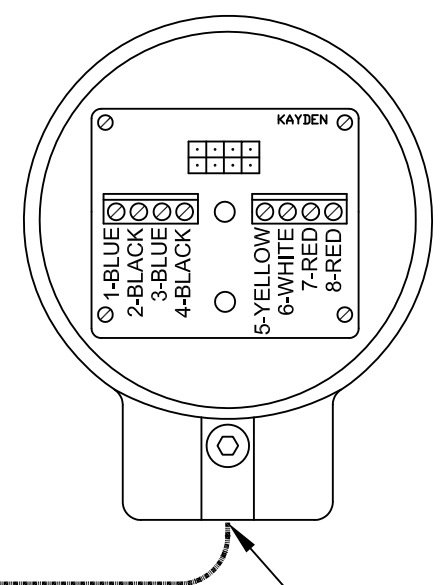
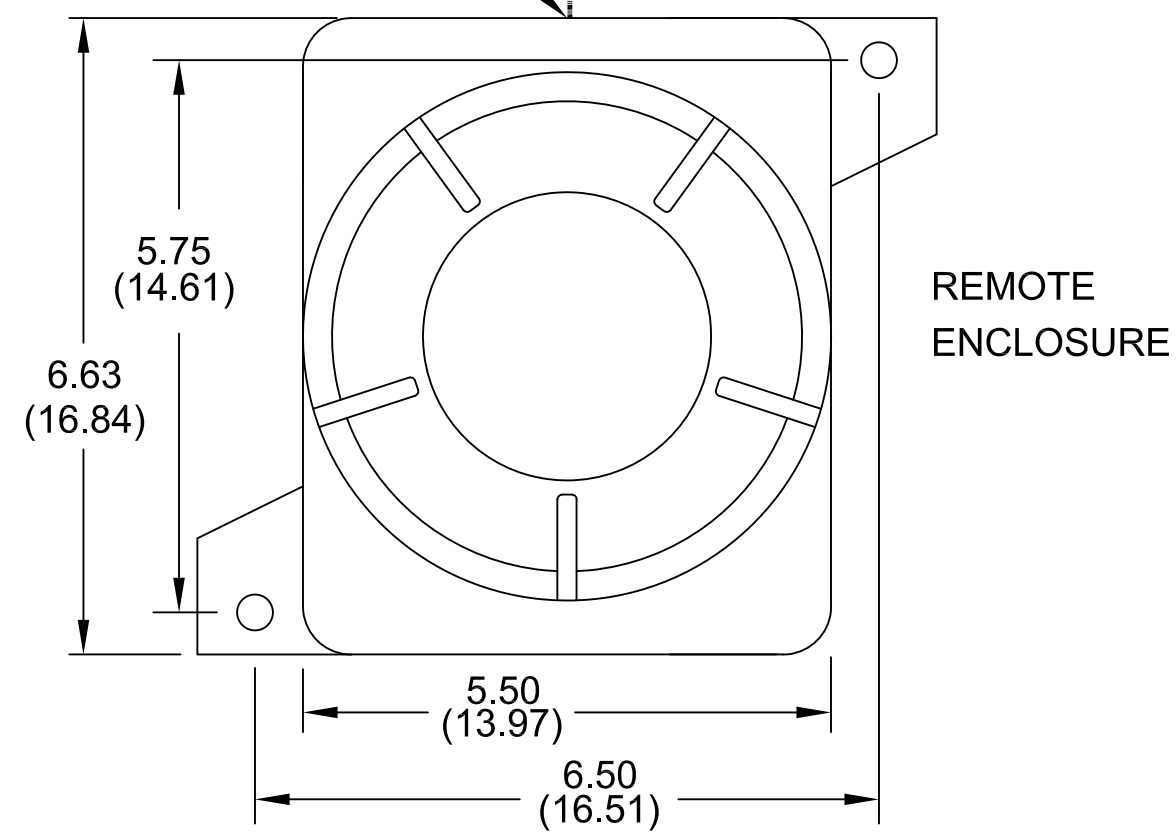
TITLE: Parts List - CLASSIC 814 Series
Packing Gland - Flanged - 1" MNPT
Low Pressure (125 PSI) w/Safety Chain
Remote Electronics

REV 1

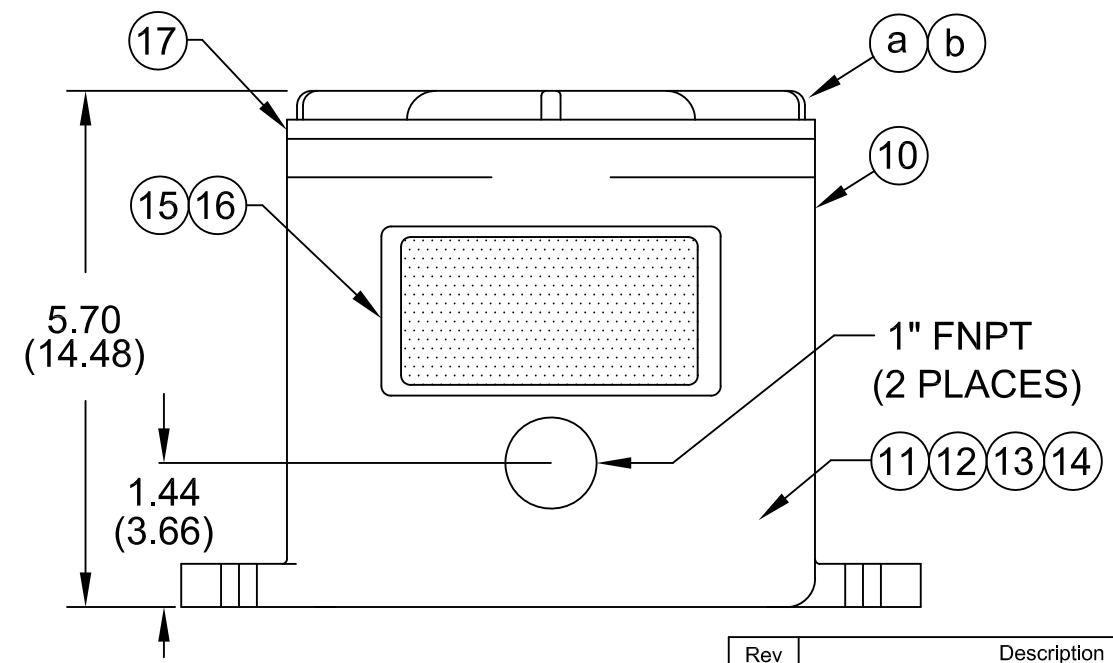
1" FNPT ELECTRONIC CONNECTION

FIELD WIRING

SENSOR ENCLOSURE



1" FNPT ELECTRICAL CONNECTION



Information contained in this document is confidential and proprietary information of Telematic Controls Inc. This document may not be reproduced or distributed for any reason without express written permission of Telematic Controls Inc. All rights of design, invention and copyright are reserved.

APPROVALS	DATE
DRN MW	13MAY13
CHKD EC	21MAY13
APP TDH	03JUN13

KAYDEN[®]
INSTRUMENTS

All dimensions are shown in inches with cm shown in brackets

TOLERANCES ARE:

DECIMALS	ANGLES
.X ± 0.1	±0.5°
.XX ± 0.02	
.XXX ± 0.007	

TITLE
CLASSIC Series Remote Electronics Flameproof Enclosure (CSA)

SIZE A3	DWG NO. 7730-0000-1-CSA	REV 0
SCALE NTS		SHEET 4 OF 5

Rev	Description	App.	Date
0	Initial release	TDH	03Jun13

NOTES:
1. Wire according to connection diagram.

