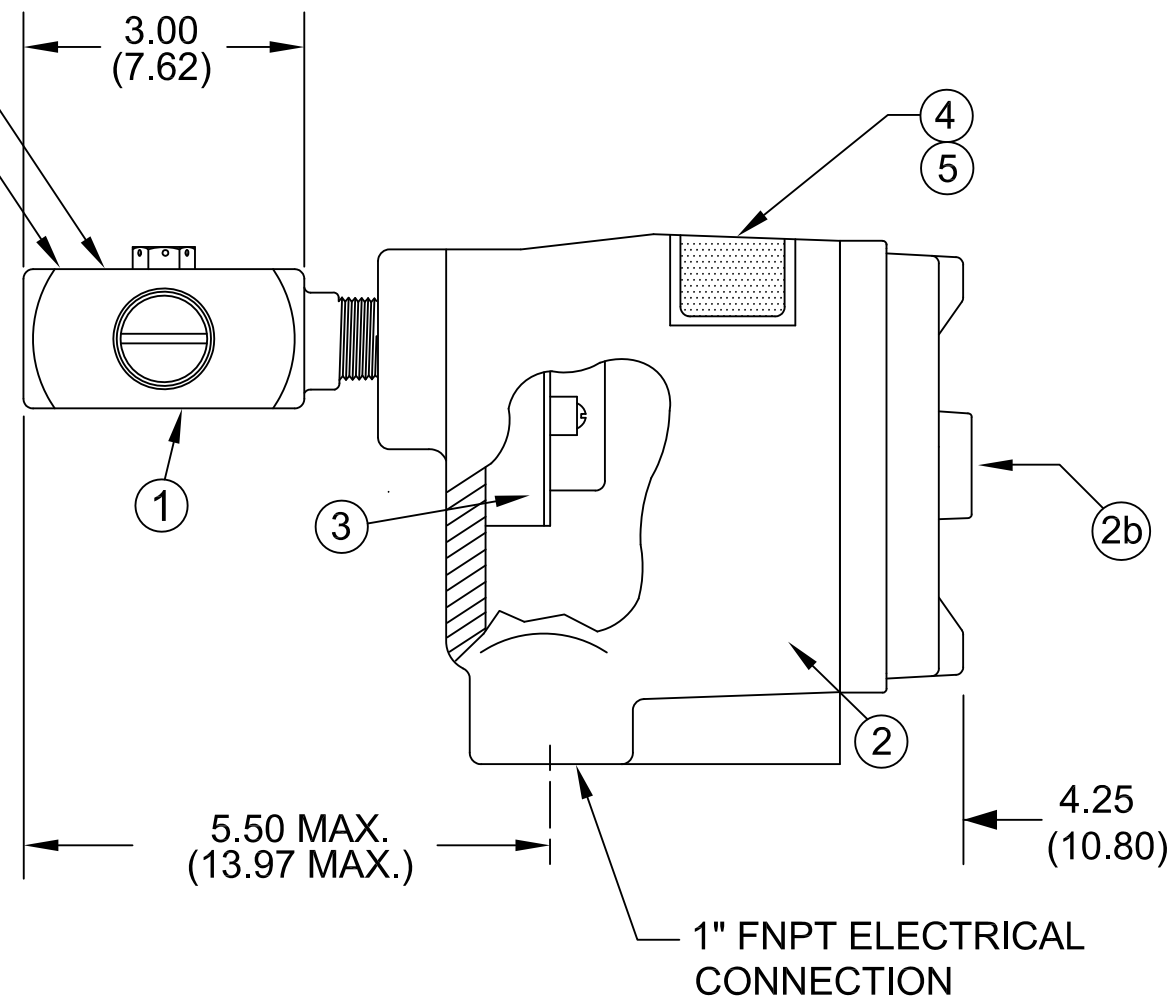
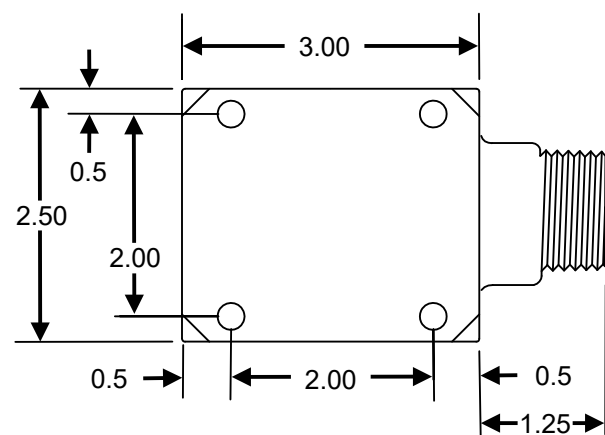


FLOW DIRECTION INDICATOR  
 FLAT UP AND  
 LEVEL  $\pm 2^\circ$



DETAIL - MOUNTING HOLES



Information contained in this document is confidential and proprietary information of Telematic Controls Inc. This document may not be reproduced or distributed for any reason without express written permission of Telematic Controls Inc. All rights of design, invention and copyright are reserved.

APPROVALS		DATE		
DRN	MW	14MAY13		
CHKD	EC	16MAY13		
APP	TDH	04JUN13		
All dimensions are shown in inches with cm shown in brackets  TOLERANCES ARE: DECIMALS      ANGLES .X $\pm$ 0.1 $\pm 0.5^\circ$ .XX $\pm$ 0.02 .XXX $\pm$ 0.007			TITLE      CLASSIC 830 Series Threaded InLine Horizontal with Bleed Port Remote Electronics	
SIZE	DWG NO	REV		
A3	D15-830-RA3D-0035AH-3	3		
SCALE    NTS			SHEET 1 OF 4	

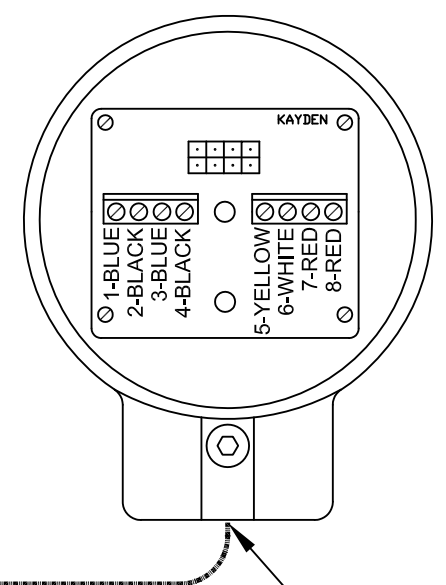
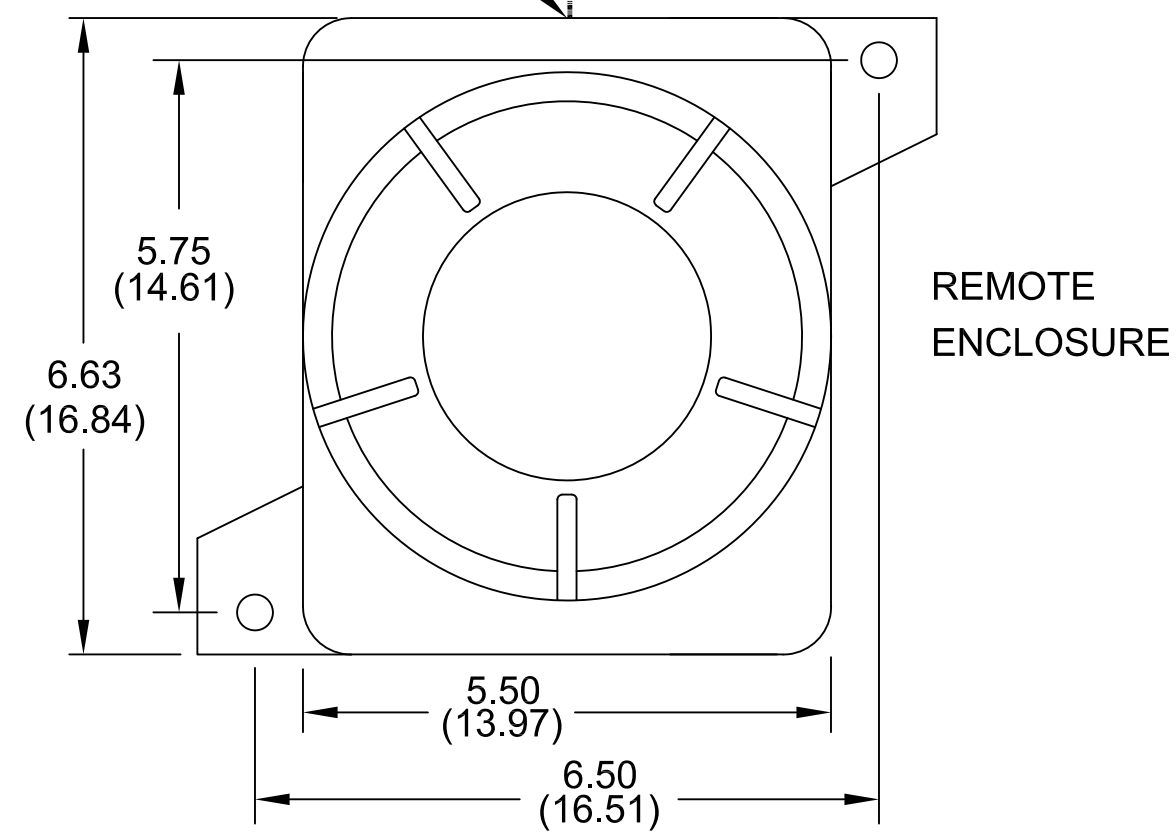
Rev	Description	App.	Date
0	Initial release	Chidley	16Jul02
1	Edited text		13Apr11
2	Changed footer note, Added confidential note Modified Title box & Rev. Table.	TDH	04Jun13
3	Added sensor mounting hole locations	DRS	10Oct24



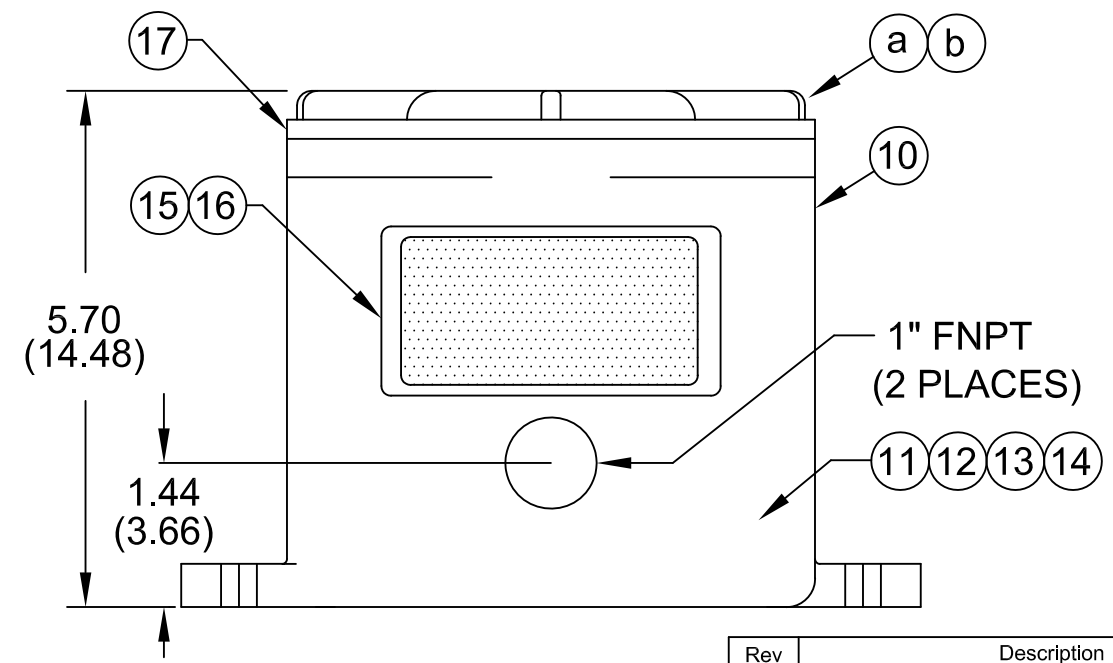
1" FNPT ELECTRONIC CONNECTION

FIELD WIRING

SENSOR ENCLOSURE



1" FNPT ELECTRICAL CONNECTION



Information contained in this document is confidential and proprietary information of Telematic Controls Inc. This document may not be reproduced or distributed for any reason without express written permission of Telematic Controls Inc. All rights of design, invention and copyright are reserved.

APPROVALS	DATE
DRN MW	13MAY13
CHKD EC	21MAY13
APP TDH	03JUN13

**KAYDEN**<sup>®</sup>  
INSTRUMENTS

All dimensions are shown in inches with cm shown in brackets

TOLERANCES ARE:

DECIMALS	ANGLES
.X ± 0.1	±0.5°
.XX ± 0.02	
.XXX ± 0.007	

TITLE: CLASSIC Series Remote Electronics Flameproof Enclosure (CSA)

SIZE A3 | DWG NO. 7730-0000-1-CSA | REV 0

SCALE NTS | SHEET 3 OF 4

Rev	Description	App.	Date
0	Initial release	TDH	03Jun13

**NOTES:**  
1. Wire according to connection diagram.

