

1" CLOSE NIPPLE
(OPTIONAL)

1" MNPT

SEE DETAIL 'A' DWG. (D15-816-RAEJ-XXXX-5)

0.90
(2.29)
O.D.

MIN. 1 1/4" FULL
BORE BALL
VALVE (OPTIONAL)

'Y'
2.00 MIN
(5.08)

'Z'
LENGTH

0.50
(1.27)

12.60
(32.01)
MIN

'X' = OVERALL
PROBE LENGTH

5.54
(14.05)
MAX

4.26
(10.82)
MAX


4.25 MAX
(10.80 MAX)

1" FNPT ELECTRICAL
CONNECTION

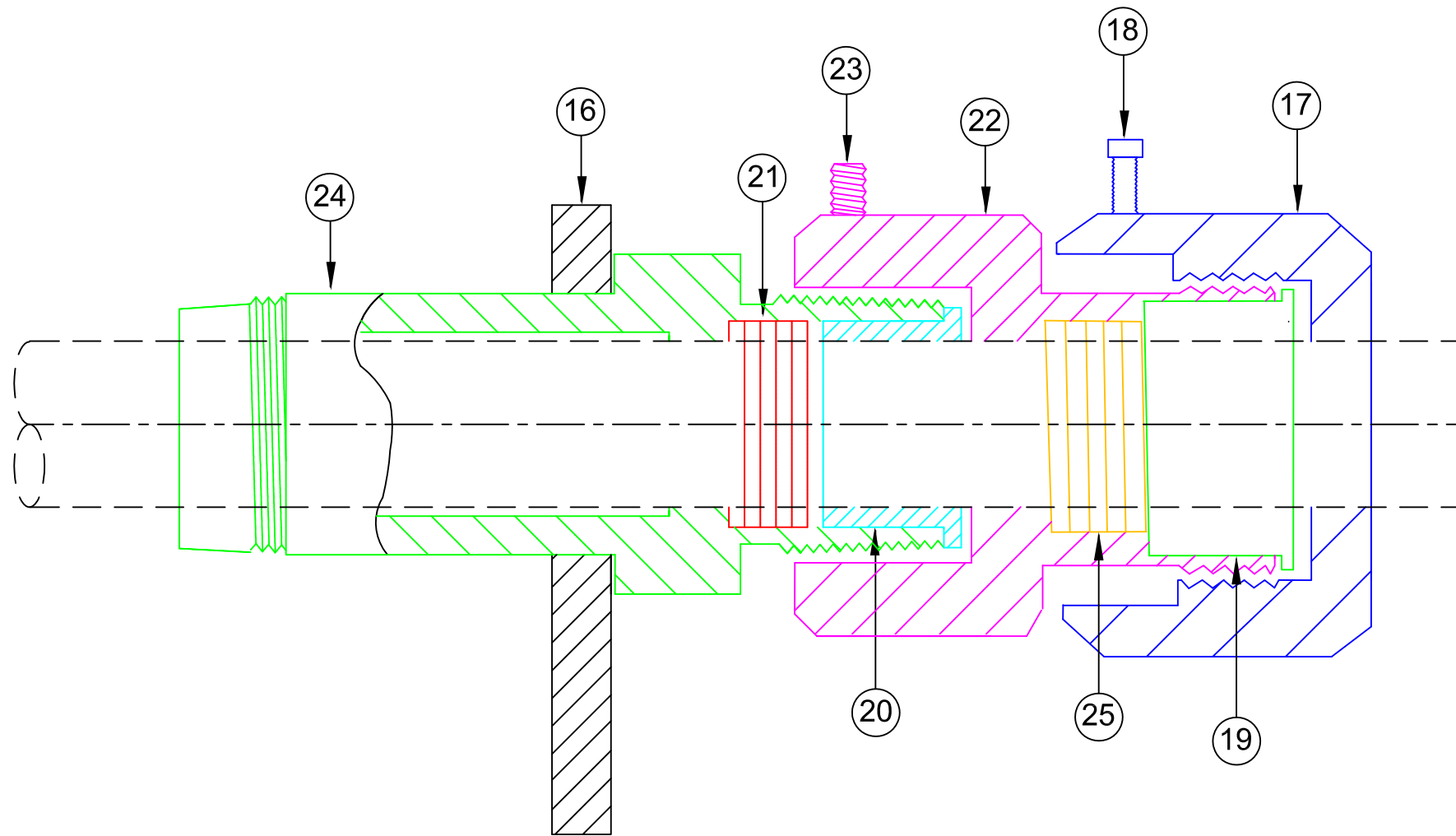
NOTES:

1. ① to ②⑤ see parts list (D15-816-RAEJ-XXXX-4).
2. Customer specified 'U' length. 'U' =
3. Install top and bottom mounted units in horizontal pipe with flow arrow \longleftrightarrow parallel to flow direction.

Information contained in this document is confidential and proprietary information of Telematic Controls Inc. This document may not be reproduced or distributed for any reason without express written permission of Telematic Controls Inc. All rights of design, invention and copyright are reserved.

APPROVALS		DATE		
DRN	MW	13MAY13		
CHKD	EC	23MAY13		
APP	TDH	03Jun13		
All dimensions are shown in inches with cm shown in brackets TOLERANCES ARE: DECIMALS ANGLES .X ± 0.1 ±0.5° .XX ± 0.02 .XXX ± 0.007			TITLE CLASSIC 816 Series Packing Gland - Threaded - 1" MNPT Low Pressure (125 psi) w/Safety Chain Remote Electronics	
SIZE	DWG NO.	REV		
A3	D15-816-RAEJ-XXXX-3	2		
SCALE NTS		SHEET 1 OF 5		

Rev	Description	App.	Date
0	Initial release	Garland	14May98
1	Edited text		08Apr11
2	Changed footer note. Added confidential note. Modified Title box & Rev. Table. Deleted 4 triangle. Modified notes.	TDH	03Jun13




NOTES:

- 1. All components - 316 Stainless Steel
(except packing)

Information contained in this document is confidential and proprietary information of Telematic Controls Inc. This document may not be reproduced or distributed for any reason without express written permission of Telematic Controls Inc. All rights of design, invention and copyright are reserved.

Rev	Description	App.	Date
0	Initial release	Garland	14May98
1	Edited text		26Jan11
2	Changed footer note. Added confidential note. Modified Title, Title box, Ref. & Rev. Table	TDH	03Jun13

REFERENCE DWGS:	
Local: D15-816-RAEJ-XXXX-1	
Local: D15-816-RAEJ-XXXX-2	
Remote: D15-816-RAEJ-XXXX-3	
Remote: D15-816-RAEJ-XXXX-4	

APPROVALS		DATE	
DRN	MW	13MAY13	
CHKD	EC	23MAY13	
APP	TDH	03JUN13	
All dimensions are shown in inches with cm shown in brackets TOLERANCES ARE: DECIMALS ANGLES .X ± 0.1 ±0.5° .XX ± 0.02 .XXX ± 0.007			TITLE CLASSIC 816 Series Packing Gland - Threaded - 1" MNPT Low Pressure (125 psi) w/Safety Chain Local/Remote Electronics: Detail 'A' Drawing
SIZE	DWG NO.	REV	
A3	D15-816-RAEJ-XXXX-5	2	
SCALE NTS		SHEET 2 OF 5	

ITEM	DESCRIPTION	PART NUMBER	QTY
*1	Sensor Assembly; (probe only)	P32-RAEJXXXX	1
2	Flameproof Enclosure (3/4" x 1" FNPT)	N10-100A-D	1
3a	<input type="checkbox"/> Glass Lens Cover - Flameproof	M10-1G00	1
3b	<input checked="" type="checkbox"/> Blind Cover - Flameproof	M10-1B00	1
4	Remote Terminal Assembly For Sensor Enclosure	1790-0622-C	1
5	Nameplate, Foil	2400-0002	1
6	Nameplate, Overlay	2401-0001	1
7	Rear Support, Low Pressure w/Chain	2510-0311	1
8	5/16" Nut, SS	2510-0418	2
9	5/16" Lock Washer, SS	2510-0424	2
10	5/16" Flat Washer, SS	2510-0425	2
11	5/16" x 4 1/4" Eyebolt - Galv. CS	2510-0433	1
12	Snap Spring, 1/2" SS	2510-0435	1
13	3/16" Quick Link, SS	2510-0436	1
14	3/16" Zinc Plated Chain	2510-0437	4
15	Hardware Reducer 3/4" x 1/2" (Optional)	2510-0021	1
***** FOR ITEMS (16 - 25) REFER TO DWG D15-816-RAEJ-XXXX-5 (DETAIL 'A') *****			
16	Front Support, Low Pressure w/Chain	2510-0313	1
17	Nut	2510-0305-B	1
18	Hex Cap Screw, 1/4" - 28 x 1/2" SS	2540-0020	1
19	Packing Follower	2510-0307-B	1
20	Seal Follower	2510-0304-B	1
21	Seal (U-Cup)	2510-0440	1
22	Nut w/Coupling	2510-0306-B	1
23	Stainless Set Screw, 10 - 24 x 3/8" Allen	2540-0021	1
24	Sleeve	2510-0300-B	1
25	1/8" SQ. Teflon	Z2510-0429	A/R

NOTES:

***1. Sensor Assembly Selection Guide:**

P32-RAEJXXXX where XXXX = desired probe 'U' length.

eg. 6" = P32-RAEJ0060	36" = P32-RAEJ0360
12" = P32-RAEJ0120	48" = P32-RAEJ0480
18" = P32-RAEJ0180	60" = P32-RAEJ0600
24" = P32-RAEJ0240	

Information contained in this document is confidential and proprietary information of Telematic Controls Inc. This document may not be reproduced or distributed for any reason without express written permission of Telematic Controls Inc. All rights of design, invention and copyright are reserved.


Rev	Description	App.	Date
0	Initial release	Garland	17Jan03
1	Edited text		13Apr11
2	Changed footer note. Added confidential note. Modified Title box & Rev.Table.Changed P/N Item7,16 Added to Item 15.	TDH	03Jun13

APPROVALS	DATE
DRN MW	17MAY13
CHKD EC	23MAY13
APP TDH	03Jun13

All dimensions are shown in inches with cm shown in brackets

TOLERANCES ARE:

DECIMALS	ANGLES
.X ± 0.1	±0.5°
.XX ± 0.02	
.XXX ± 0.007	



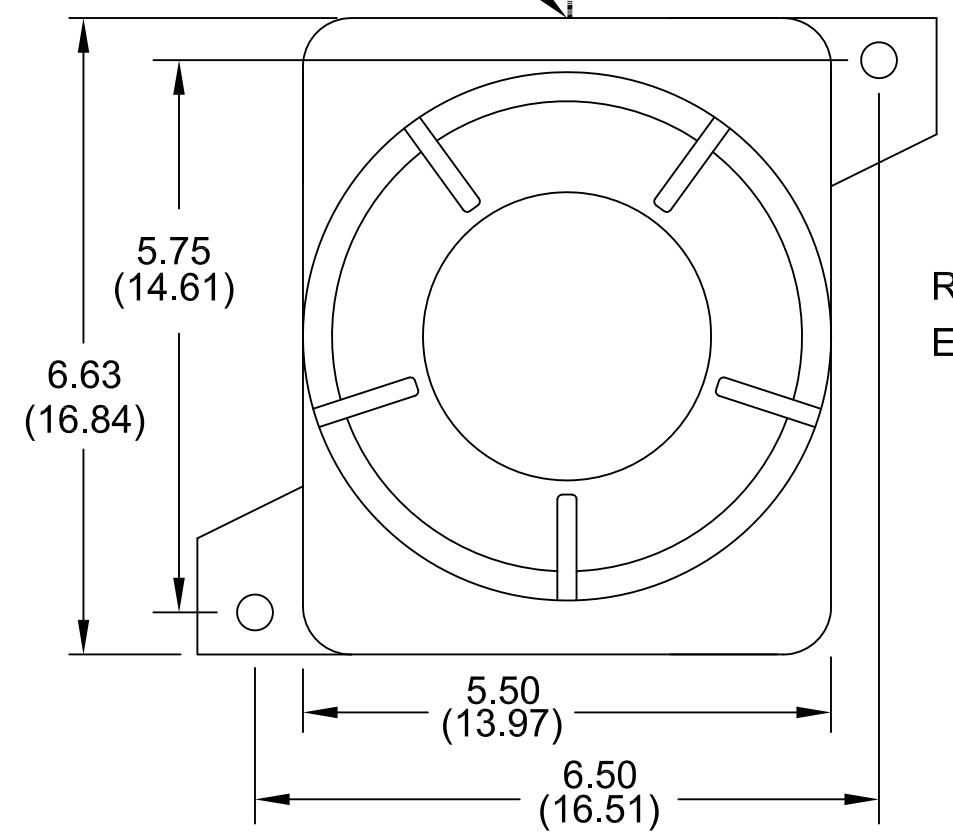
TITLE Parts List - CLASSIC 816 Series
Packing Gland - Threaded 1" MNPT
Low Pressure (125 psi) w/Safety Chain
Remote Electronics

SIZE A3	DWG NO. D15-816-RAEJ-XXXX-4	REV 2
SCALE NTS		SHEET 3 OF 5

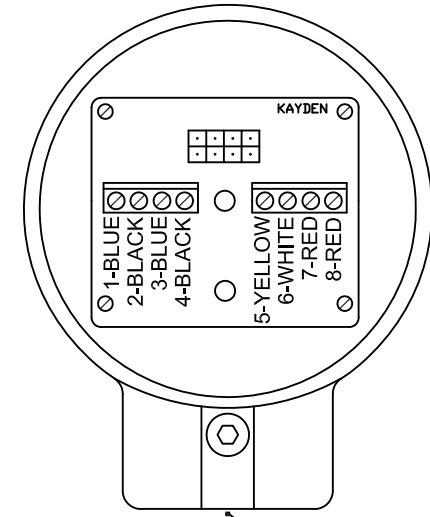
1" FNPT ELECTRONIC CONNECTION

FIELD WIRING

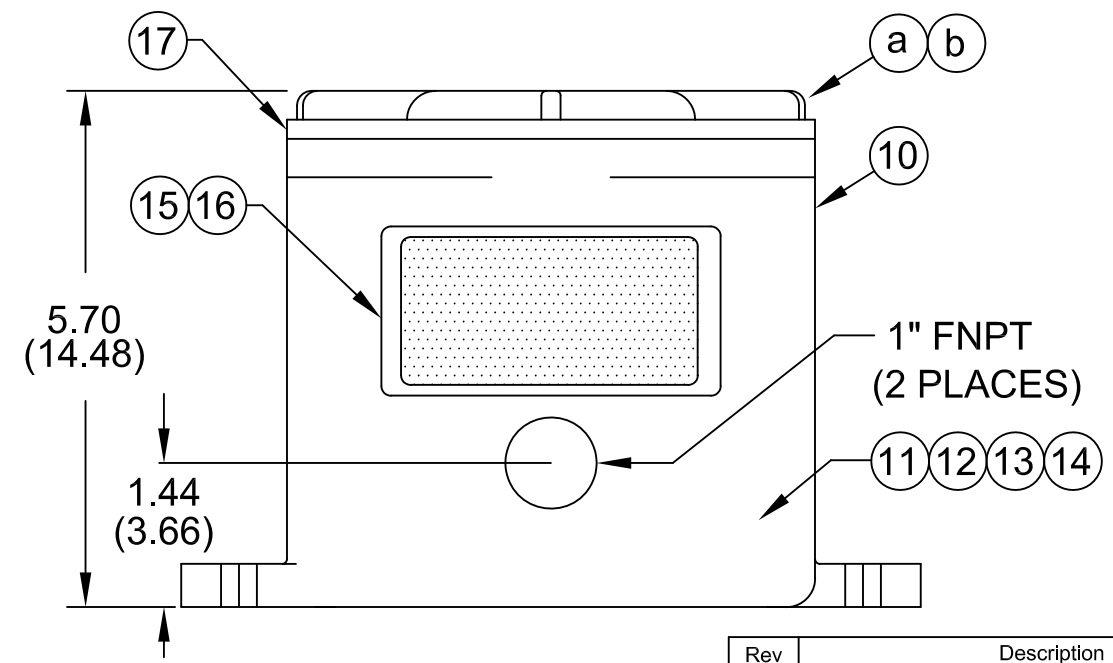
SENSOR ENCLOSURE



REMOTE ENCLOSURE



1" FNPT ELECTRICAL CONNECTION



Information contained in this document is confidential and proprietary information of Telematic Controls Inc. This document may not be reproduced or distributed for any reason without express written permission of Telematic Controls Inc. All rights of design, invention and copyright are reserved.

APPROVALS	DATE
DRN MW	13MAY13
CHKD EC	21MAY13
APP TDH	03JUN13

KAYDEN
INSTRUMENTS

All dimensions are shown in inches with cm shown in brackets

TOLERANCES ARE:

DECIMALS	ANGLES
.X ± 0.1	±0.5°
.XX ± 0.02	
.XXX ± 0.007	

TITLE CLASSIC Series Remote Electronics Flameproof Enclosure (CSA)


SIZE A3	DWG NO. 7730-0000-1-CSA	REV 0
SCALE NTS		SHEET 4 OF 5

Rev	Description	App.	Date
0	Initial release	TDH	03Jun13

NOTES:
1. Wire according to connection diagram.

ITEM	DESCRIPTION	PART NUMBER	QTY
10	Flameproof Remote Enclosure	1409-1201	1
a	<input type="checkbox"/> Glass Lens Cover - Flameproof	1409-1208	1
b	<input type="checkbox"/> Blind Cover - Flameproof	1409-1207	1
11	Terminal Assembly	2511-0012	1
12	Ground Screw	2540-0023	1
13	CLASSIC Electronics Module	L10-800-C-E	1
	(12-24 VDC, 115-230 VAC)		
14	Mounting Screws (316 SS)	2540-0007	2
15	Nameplate, Foil	2400-0007	1
16	Nameplate, Overlay	2401-0001	1
17	Cover Gasket	1499-1301	1

Information contained in this document is confidential and proprietary information of Telematic Controls Inc. This document may not be reproduced or distributed for any reason without express written permission of Telematic Controls Inc. All rights of design, invention and copyright are reserved.

Rev 0	Description Initial release	App. TDH	Date 03Jun13	APPROVALS		DATE	
				DRN	MW	13MAY13	
CHKD		EC	21MAY13				
APP		TDH	03JUN13				
All dimensions are shown in inches with cm shown in brackets				TITLE		Parts List - CLASSIC Series Remote Electronics Flameproof Enclosure (CSA)	
TOLERANCES ARE:				SIZE		DWG NO.	REV
DECIMALS				A3		7730-0000-2-CSA	0
ANGLES				SCALE		NTS	SHEET 5 OF 5
.X ± 0.1							
.XX ± 0.02							
.XXX ± 0.007							