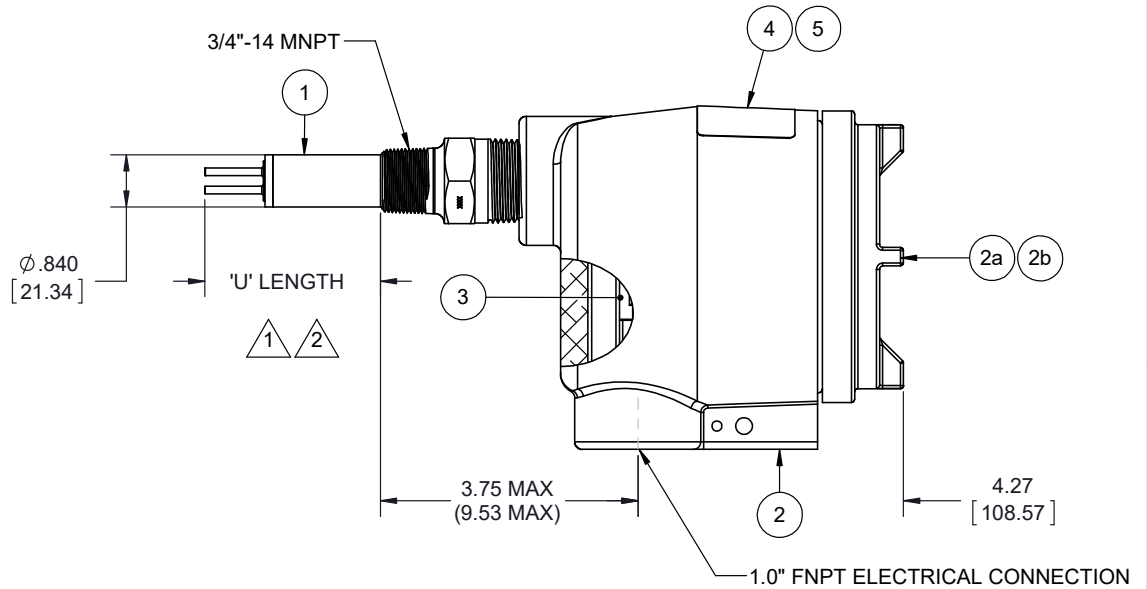
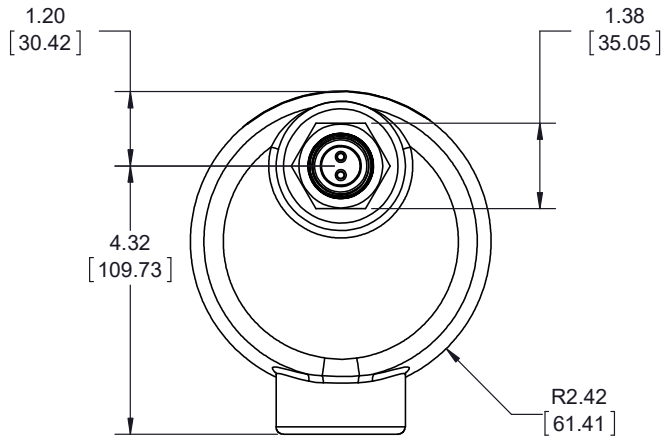


8 7 6 5 4 3 2 1

REVISIONS				
ZONE	REV.	DESCRIPTION	DATE	APPROVED
All	0	Initial Release	14MAY98	Chidley
	1	Edited text	08APR11	
	2	Changed footer note, added confidential note, modified title, title box and rev table. Deleted 24"U'. Added rows on dwg. Fixed Item 2		TDH
ALL	3	Updated probe dimensions	23OCT18	BT



**NOTES:**

- 1 Standard 'U' lengths available: 1.2", 2", 3", 4", 6", 9", 12" & 18"
- 2 Custom 'U' length:

UNLESS OTHERWISE SPECIFIED:	NAME	DATE
DIMENSIONS ARE IN INCHES	DRAWN MW	14MAY13
TOLERANCES:	CHECKED EC	16MAY13
ANGULAR: 0.5°	ENG APPR. TDH	03JUN13
ONE PLACE DECIMAL ±0.1		
TWO PLACE DECIMAL ±0.02		
THREE PLACE DECIMAL ±0.007		
INTERPRET GEOMETRIC TOLERANCING PER:	COMMENTS:	
MATERIAL		
FINISH		
DO NOT SCALE DRAWING		

**KAYDEN**  
INSTRUMENTS

TITLE:  
**CLASSIC 810 Series**  
3/4" MNPT; 1.2", 2", 3", 4", 6", 9", 12" & 18" 'U'  
Remote Electronics  
Mounting Drawing

SIZE	DWG. NO.	REV
<b>B</b>	D15-810-RAD-XXXX-RE	<b>3</b>

SCALE: NTS      WEIGHT:      SHEET 1 OF 4

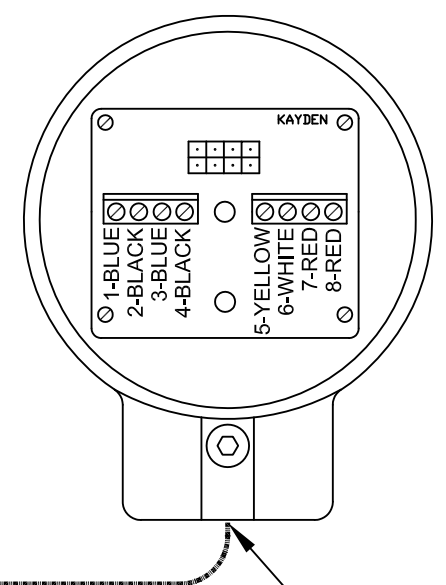
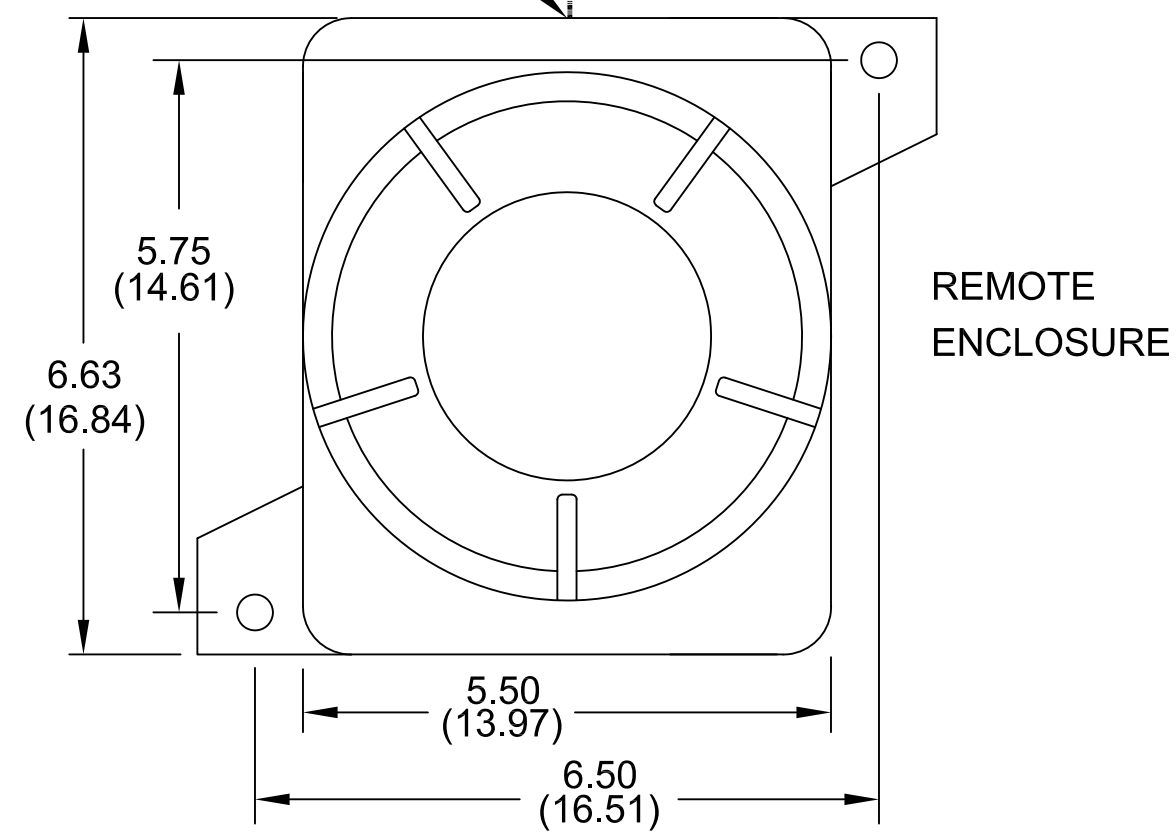
8 7 6 5 4 3 2 1



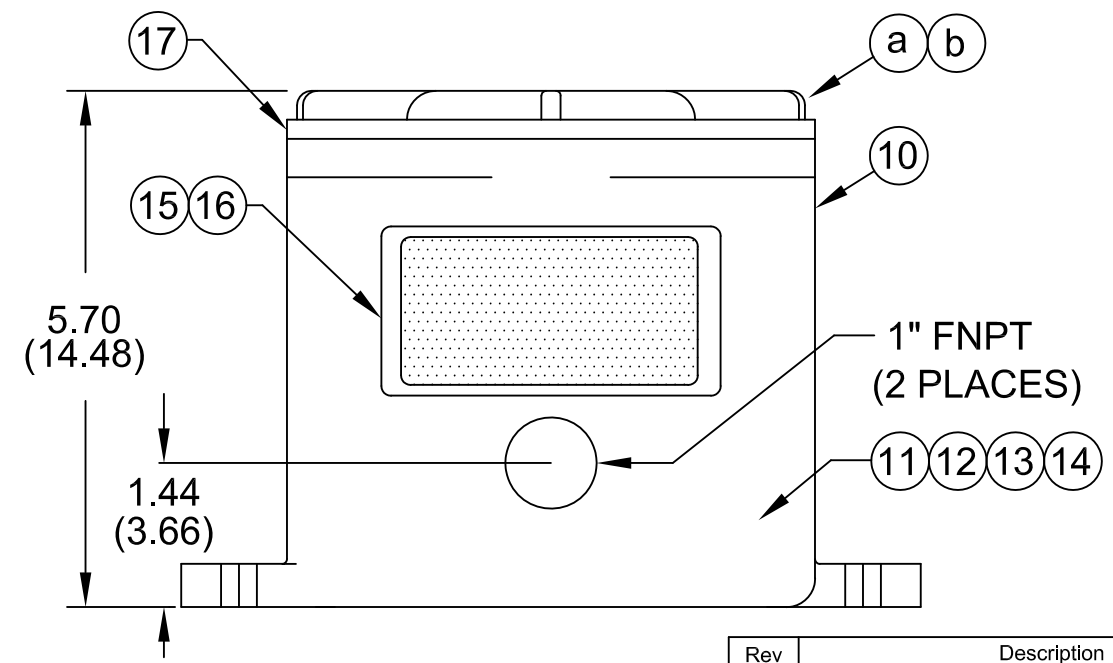
1" FNPT ELECTRONIC CONNECTION

FIELD WIRING

SENSOR ENCLOSURE



1" FNPT ELECTRICAL CONNECTION



Information contained in this document is confidential and proprietary information of Telematic Controls Inc. This document may not be reproduced or distributed for any reason without express written permission of Telematic Controls Inc. All rights of design, invention and copyright are reserved.

APPROVALS		DATE			
DRN	MW	13MAY13			
CHKD	EC	21MAY13			
APP	TDH	03JUN13	TITLE		
All dimensions are shown in inches with cm shown in brackets			CLASSIC Series Remote Electronics Flameproof Enclosure (CSA)		
TOLERANCES ARE:			SIZE	DWG NO.	REV
DECIMALS		ANGLES	A3	7730-0000-1-CSA	0
.X ±	0.1	±0.5°	SCALE NTS		SHEET 3 OF 4
.XX ±	0.02				
.XXX ±	0.007				

Rev	Description	App.	Date
0	Initial release	TDH	03Jun13

**NOTES:**  
1. Wire according to connection diagram.

ITEM	DESCRIPTION	PART NUMBER	QTY
10	Flameproof Remote Enclosure	1409-1201	1
a	<input type="checkbox"/> Glass Lens Cover - Flameproof	1409-1208	1
b	<input type="checkbox"/> Blind Cover - Flameproof	1409-1207	1
11	Terminal Assembly	2511-0012	1
12	Ground Screw	2540-0023	1
13	CLASSIC Electronics Module	L10-800-C-E	1
	(12-24 VDC, 115-230 VAC)		
14	Mounting Screws (316 SS)	2540-0007	2
15	Nameplate, Foil	2400-0007	1
16	Nameplate, Overlay	2401-0001	1
17	Cover Gasket	1499-1301	1

Information contained in this document is confidential and proprietary information of Telematic Controls Inc. This document may not be reproduced or distributed for any reason without express written permission of Telematic Controls Inc. All rights of design, invention and copyright are reserved.

	<table border="1" style="width: 100%; border-collapse: collapse;"> <tr> <th>APPROVALS</th> <th>DATE</th> </tr> <tr> <td>DRN MW</td> <td>13MAY13</td> </tr> <tr> <td>CHKD EC</td> <td>21MAY13</td> </tr> <tr> <td>APP TDH</td> <td>03JUN13</td> </tr> </table>	APPROVALS	DATE	DRN MW	13MAY13	CHKD EC	21MAY13	APP TDH	03JUN13																										
APPROVALS	DATE																																		
DRN MW	13MAY13																																		
CHKD EC	21MAY13																																		
APP TDH	03JUN13																																		
<table border="1" style="width: 100%; border-collapse: collapse;"> <tr> <th>Rev</th> <th>Description</th> <th>App.</th> <th>Date</th> </tr> <tr> <td>0</td> <td>Initial release</td> <td>TDH</td> <td>03Jun13</td> </tr> <tr><td> </td><td> </td><td> </td><td> </td></tr> <tr><td> </td><td> </td><td> </td><td> </td></tr> <tr><td> </td><td> </td><td> </td><td> </td></tr> <tr><td> </td><td> </td><td> </td><td> </td></tr> <tr><td> </td><td> </td><td> </td><td> </td></tr> <tr><td> </td><td> </td><td> </td><td> </td></tr> </table>	Rev	Description	App.	Date	0	Initial release	TDH	03Jun13																									All dimensions are shown in inches with cm shown in brackets  TOLERANCES ARE: DECIMALS                                 ANGLES .X ± 0.1                                 ±0.5° .XX ± 0.02 .XXX ± 0.007		
Rev	Description	App.	Date																																
0	Initial release	TDH	03Jun13																																
		<table border="1" style="width: 100%; border-collapse: collapse;"> <tr> <th>TITLE</th> <td style="text-align: center;">Parts List - CLASSIC Series Remote Electronics Flameproof Enclosure (CSA)</td> </tr> <tr> <td style="font-size: x-small;"> <table border="1" style="width: 100%; border-collapse: collapse;"> <tr> <td style="font-size: x-small;">SIZE A3</td> <td style="font-size: x-small;">DWG NO.    <b>7730-0000-2-CSA</b></td> <td style="font-size: x-small;">REV 0</td> </tr> </table> </td> </tr> <tr> <td style="font-size: x-small;">SCALE   NTS</td> <td style="font-size: x-small;">SHEET 4 OF 4</td> </tr> </table>	TITLE	Parts List - CLASSIC Series Remote Electronics Flameproof Enclosure (CSA)	<table border="1" style="width: 100%; border-collapse: collapse;"> <tr> <td style="font-size: x-small;">SIZE A3</td> <td style="font-size: x-small;">DWG NO.    <b>7730-0000-2-CSA</b></td> <td style="font-size: x-small;">REV 0</td> </tr> </table>	SIZE A3	DWG NO. <b>7730-0000-2-CSA</b>	REV 0	SCALE   NTS	SHEET 4 OF 4																									
TITLE	Parts List - CLASSIC Series Remote Electronics Flameproof Enclosure (CSA)																																		
<table border="1" style="width: 100%; border-collapse: collapse;"> <tr> <td style="font-size: x-small;">SIZE A3</td> <td style="font-size: x-small;">DWG NO.    <b>7730-0000-2-CSA</b></td> <td style="font-size: x-small;">REV 0</td> </tr> </table>	SIZE A3	DWG NO. <b>7730-0000-2-CSA</b>	REV 0																																
SIZE A3	DWG NO. <b>7730-0000-2-CSA</b>	REV 0																																	
SCALE   NTS	SHEET 4 OF 4																																		