

Application Note

Application Note: 060506B

KAYDEN
I N S T R U M E N T S

Pulp & Paper Digester Tank

Application Overflow Protection, White Liquor in a Digester

Product Kayden CLASSIC 800 Series Thermal Dispersion Flow, Level, Interface & Temperature Switch & Transmitter

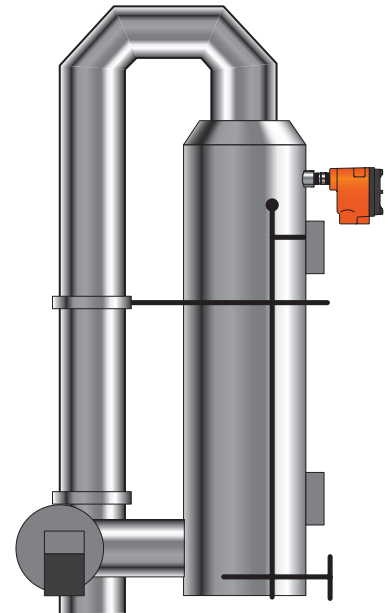
Description

Reliable and repeatable level control in the white liquor tank is critical in order to avoid overflows and/or contamination of the process upstream or downstream.

Problem

The combination of the process media and plant conditions cause instrument malfunctions and maintenance problems. For a level switch to perform well in this application it must resist failures caused by:

- corrosion and / or “sludging” damage to the sensor.
- temperature extremes - depending upon location and operation the instrument will see high temperatures (including steam).
- water contamination - feed water and cooling water often contains sediment and high mineral content electromagnetic interference.
- difficult and/or controlled access points limit monitoring and daily maintenance.



Solution

The Kayden CLASSIC 800 Series Thermal Dispersion Flow, Level, Interface & Temperature Switch & Transmitter is used to provide the critical control for level in the white liquor tank. The switch may be set to activate or deactivate the pump or feed valve using either of the independent relay contacts or the 4-20mA analog output.

Although often overlooked in level applications in favor of more complicated and expensive technologies, Kayden thermal dispersion switches provide digital repeatability and fast response in a rugged package that is not bothered by coating on the probe and will not drift, seize, or ever require calibration.

Easy Display Panel controls and display make set up fast and easy. Unlike float, paddle or gap switches Kayden switches feature all-welded sensors, no-moving-parts design, true digital electronics with auto-diagnostic functions, two independent relay timers, a Bypass Timer for auto pump restart, simultaneous process temperature monitor and a 4-20mA analog output corresponding to the process level (flow).



Display Panel

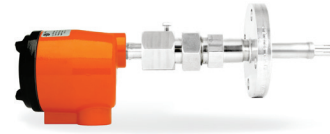
Applicable CLASSIC® 800 Models



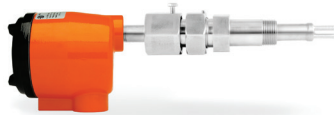
CLASSIC® 810



CLASSIC® 812



CLASSIC® 814



CLASSIC® 816



CLASSIC® 830



CLASSIC® 832

Ordering Information

Order Online

kayden.com Use our website to order your Kayden products. Please know that your local Authorized Distributor is supported whether you place orders online, via telephone, or email.

Contact Us

Telephone

+1 403 253-1423

E-Mail

info@kayden.com

Web

kayden.com

Hours Monday – Friday 8:00 a.m. – 5:00 p.m. MST

Mailing Address 3364–114th Avenue S.E., Calgary, Alberta, Canada T2Z 3V6

Contact a Local Distributor

Distributors

Visit kayden.com to find a local Distributor near you. Distributors provide local inventory, technical support & service.

KAYDEN
I N S T R U M E N T S



For more information about the CLASSIC Series or any of Kayden's other products, please visit kayden.com