


**NOTES:**

\*1. Standard 'U' lengths available: 1.2", 2", 3", 4", 6", 9", 12" & 18"

\*2. Custom 'U' length: \_\_\_\_\_

Information contained in this document is confidential and proprietary information of Telematic Controls Inc. This document may not be reproduced or distributed for any reason without express written permission of Telematic Controls Inc. All rights of design, invention and copyright are reserved.

Rev	Description	App.	Date
0	Initial release	Chidley	14May98
1	Edited text		08Apr11
2	Changed footer note. Added confidential note. Modified Title box & Rev. Table. Fixed diam. probe. Fixed DWG No.	TDH	03Jun13

APPROVALS		DATE		
DRN	MW	16MAY13		
CHKD	EC	21MAY13		
APP	TDH	03Jun13		
All dimensions are shown in inches with cm shown in brackets  <b>TOLERANCES ARE:</b> DECIMALS                      ANGLES .X ± 0.1                              ±0.5° .XX ± 0.02 .XXX ± 0.007			<b>TITLE</b> CLASSIC 810 Series 2" MNPT; 1.2", 2", 3", 4", 6", 9", 12" & 18" 'U' Remote Sensors Assembly Mounting Drawing	
SIZE	DWG NO.	REV		
A3	D15-810-RAHXXXX-3	2		
SCALE			SHEET 1 OF 4	
NTS				

ITEM	DESCRIPTION	PART NUMBER	QTY
*1	Sensor ; 2" MNPT	P02-RAHXXXX	1
2	Flameproof Enclosure (1 1/4" x 1" FNPT)	N10-100A-FGH	1
	c/w Terminal Assembly		
a	<input type="checkbox"/> Glass Lens Cover - Flameproof	M10-1G00	1
b	<input checked="" type="checkbox"/> Blind Cover - Flameproof	M10-1B00	1
3	Remote Terminal Assembly For Sensor Enclosure	1790-0622-C	1
4	Nameplate, Foil	2400-0002	1
5	Nameplate, Overlay	2401-0001	1

**\*1. Sensor Assembly Selection Guide:**

P02-RAHXXXX Where XXXX = Desired 'U' Length in Inches.  
 eg. 1.2"U = P02-RAH0012                      6"U = P02-RAH0060  
       2"U = P02-RAH0020                      9"U = P02-RAH0090  
       3"U = P02-RAH0030                    12"U = P02-RAH0120  
       4"U = P02-RAH0040                    18"U = P02-RAH0180

Information contained in this document is confidential and proprietary information of Telematic Controls Inc. This document may not be reproduced or distributed for any reason without express written permission of Telematic Controls Inc. All rights of design, invention and copyright are reserved.

Rev	Description	App.	Date
0	Initial release	HO	14Jun01
1	Edited text		08Apr11
2	Changed footer note. Added confidential note. Modified Title box & Rev. Table. Fixed DWG No.	TDH	03Jun13

APPROVALS		DATE
DRN	MW	16MAY13
CHKD	EC	21MAY13
APP	TDH	03JUN13

**KAYDEN**®  
INSTRUMENTS

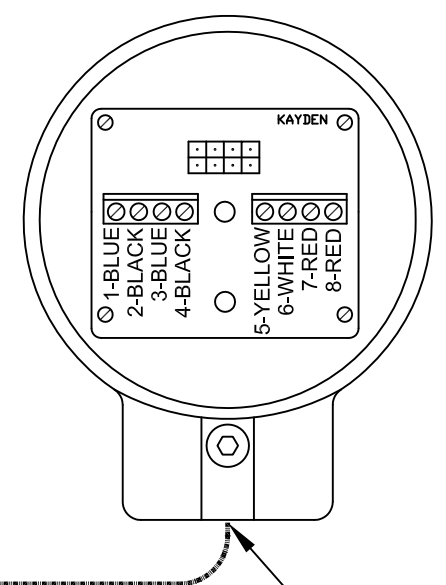
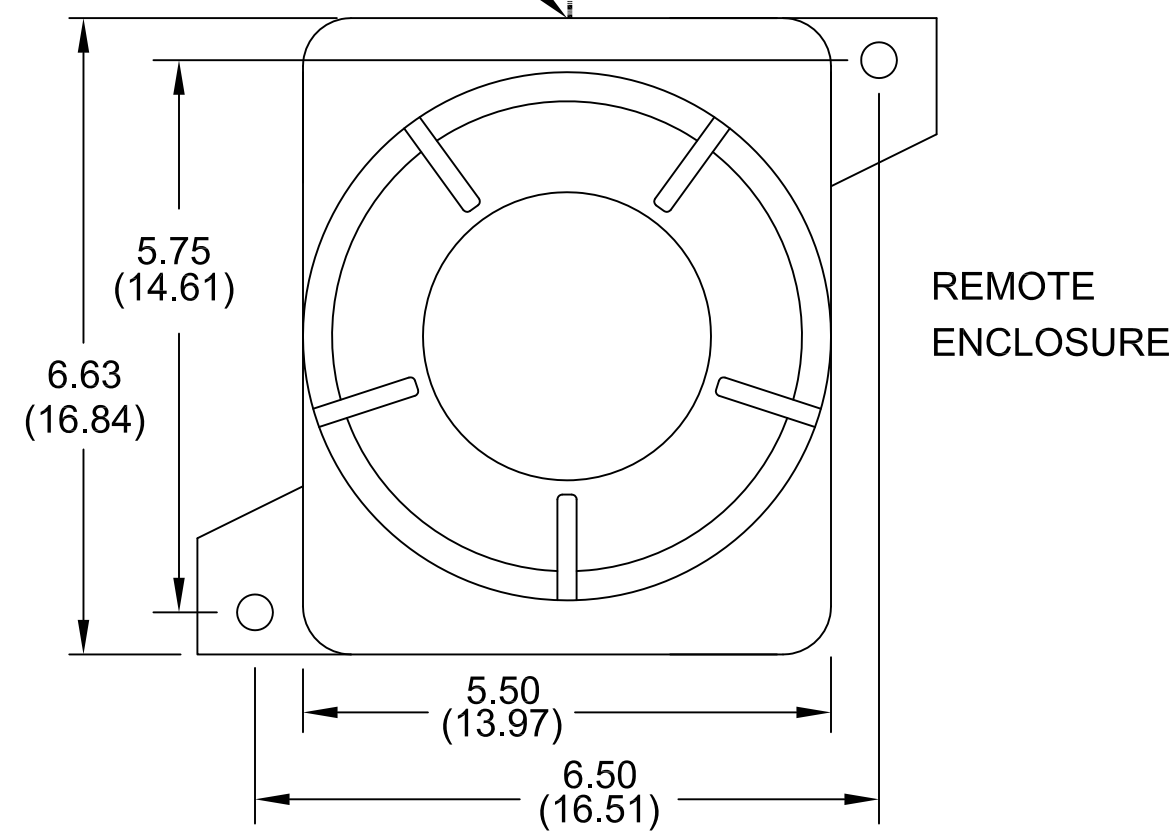
**TITLE**  
Parts List - CLASSIC 810 Series  
2" MNPT; 1.2", 2", 3", 4", 6", 9", 12" & 18" 'U'  
Remote Sensor Assembly

SIZE A3	DWG NO. D15-810-RAHXXXX-4	REV 2
SCALE NTS	SHEET 2 OF 4	

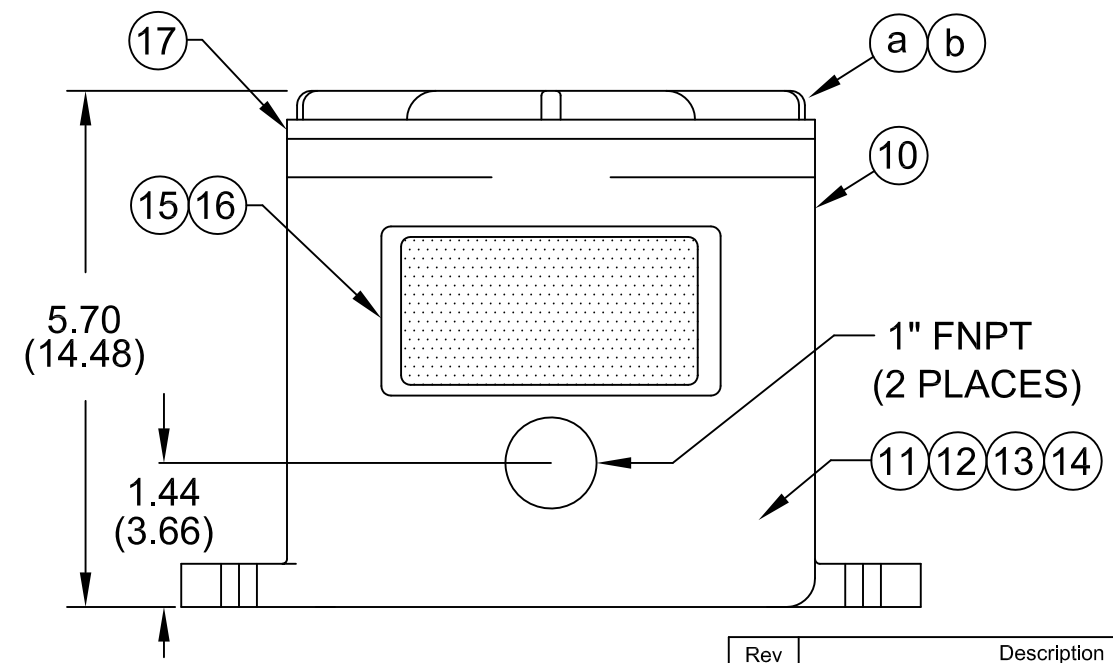
1" FNPT ELECTRONIC CONNECTION

FIELD WIRING

SENSOR ENCLOSURE



1" FNPT ELECTRICAL CONNECTION



Information contained in this document is confidential and proprietary information of Telematic Controls Inc. This document may not be reproduced or distributed for any reason without express written permission of Telematic Controls Inc. All rights of design, invention and copyright are reserved.

APPROVALS	DATE
DRN MW	13MAY13
CHKD EC	21MAY13
APP TDH	03JUN13

**KAYDEN**  
INSTRUMENTS

All dimensions are shown in inches with cm shown in brackets

TOLERANCES ARE:

DECIMALS	ANGLES
.X ± 0.1	±0.5°
.XX ± 0.02	
.XXX ± 0.007	

TITLE: CLASSIC Series Remote Electronics Flameproof Enclosure (CSA)

SIZE A3 | DWG NO. 7730-0000-1-CSA | REV 0


SCALE NTS | SHEET 3 OF 4 (or 4 OF 5)

Rev	Description	App.	Date
0	Initial release	TDH	03Jun13

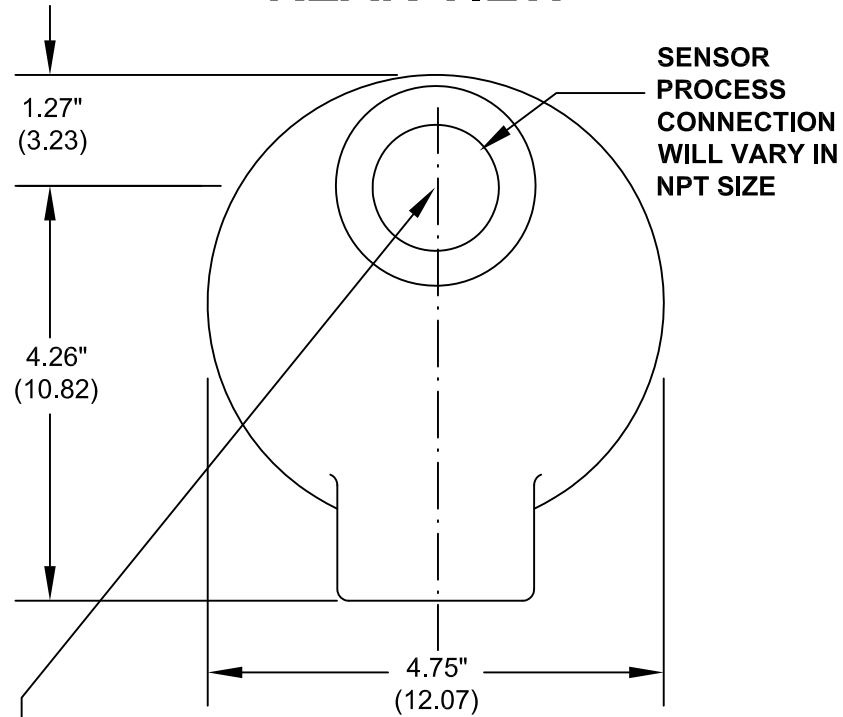
NOTES:  
1. Wire according to connection diagram.

ITEM	DESCRIPTION	PART NUMBER	QTY
10	Flameproof Remote Enclosure	1409-1201	1
a	<input type="checkbox"/> Glass Lens Cover - Flameproof	1409-1208	1
b	<input type="checkbox"/> Blind Cover - Flameproof	1409-1207	1
11	Terminal Assembly	2511-0012	1
12	Ground Screw	2540-0023	1
13	CLASSIC Electronics Module (12-24 VDC, 115-230 VAC)	L10-800-C-E	1
14	Mounting Screws (316 SS)	2540-0007	2
15	Nameplate, Foil	2400-0007	1
16	Nameplate, Overlay	2401-0001	1
17	Cover Gasket	1499-1301	1

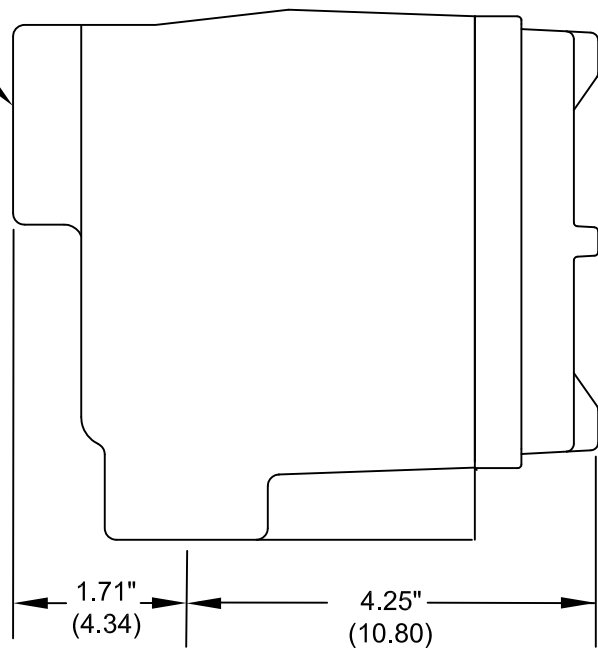
Information contained in this document is confidential and proprietary information of Telematic Controls Inc. This document may not be reproduced or distributed for any reason without express written permission of Telematic Controls Inc. All rights of design, invention and copyright are reserved.

Rev	Description	App.	Date	APPROVALS			DATE	
0	Initial release	TDH	03Jun13	DRN	MW		13MAY13	
				CHKD	EC		21MAY13	
				APP	TDH		03JUN13	
	All dimensions are shown in inches with cm shown in brackets							TITLE
	TOLERANCES ARE:							Parts List - CLASSIC Series
	DECIMALS							Remote Electronics
	ANGLES							Flameproof Enclosure (CSA)
	.X ±	0.1					±0.5°	SIZE
	.XX ±	0.02						DWG NO.
	.XXX ±	0.007						7730-0000-2-CSA
								REV
								0
							SCALE	SHEET 4 OF 4 (or 5 OF 5)
							NTS	

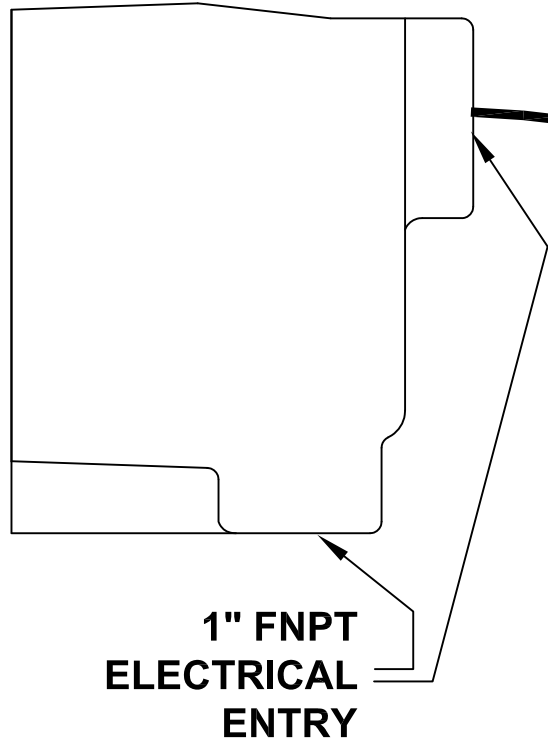
### SENSOR AND REMOTE ENCLOSURE REAR VIEW



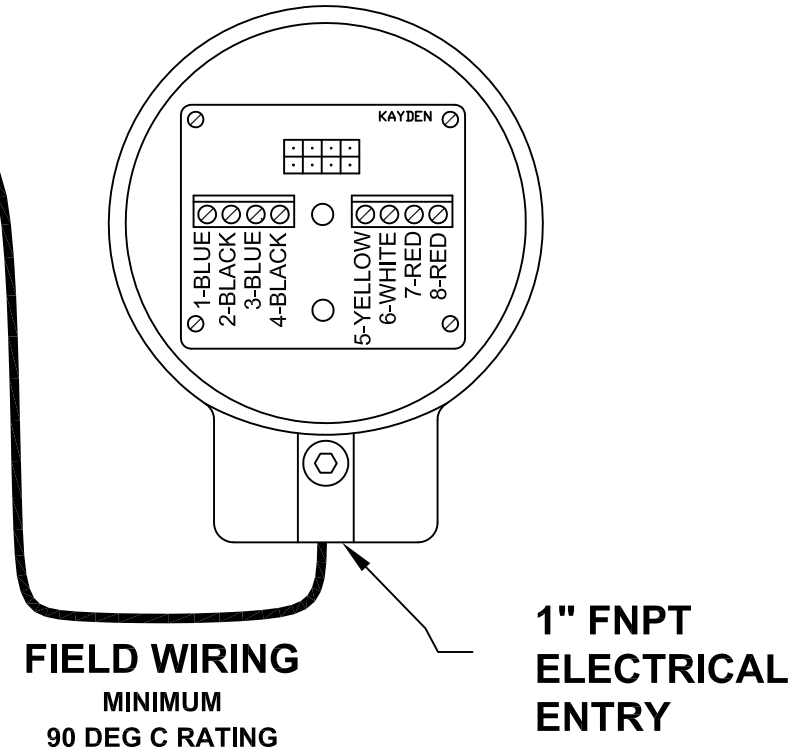
**MOUNT SENSOR AND REMOTE ENCLOSURE USING FNPT ENTRY**



### REMOTE ENCLOSURE SIDE VIEW




### SENSOR ENCLOSURE FRONT VIEW



### SENSOR AND REMOTE ENCLOSURE SIDE VIEW

Rev	Description	App.	Date
0	Initial release	TDH	03Jun13

Information contained in this document is confidential and proprietary information of Telematic Controls Inc. This document may not be reproduced or distributed for any reason without express written permission of Telematic Controls Inc. All rights of design, invention and copyright are reserved.

APPROVALS		DATE		
DRN	MW	13MAY13		
CHKD	EC	21MAY13		
APP	TDH	03JUN13		
All dimensions are shown in inches with cm shown in brackets  TOLERANCES ARE: DECIMALS      ANGLES .X ± 0.1            ±0.5° .XX ± 0.02 .XXX ± 0.007			<b>TITLE</b> CLASSIC Series Sensor and Remote Flameproof Enclosure (FM)	
SIZE A3	<b>DWG NO.</b> 7730-0000-1-FM		<b>REV</b> 0	
<b>SCALE</b> NTS			SHEET 1 OF 1	

**NOTES:**  
1. Wire sensor to remote according to connection diagram.