

Information contained in this document is confidential and proprietary information of Telematic Controls Inc. This document may not be reproduced or distributed for any reason without express written permission of Telematic Controls Inc. All rights of design, invention and copyright are reserved.

**NOTES:**  
 ⚠ Customer specified  
 ⚠ Flange  $\varnothing$  bisects bolt holes for all flange sizes.

Rev	Description	App.	Date
0	Initial release	Chidley	16Jul02
1	Edited text & dims		25Jan11
2	Changed footer note. Added confidential note. Modified Title box & Rev. Table.	TDH	04Jun13

APPROVALS		DATE
DRN	MW	15MAY13
CHKD	EC	23MAY13
APP	TDH	04JUN14

All dimensions are shown in inches with cm shown in brackets

**TOLERANCES ARE:**

DECIMALS	ANGLES
.X ± 0.1	±0.5°
.XX ± 0.02	
.XXX ± 0.007	

**TITLE** CLASSIC 832 Series  
 Flanged InLine  
 Vertical with Bleed Port  
 Remote Electronics

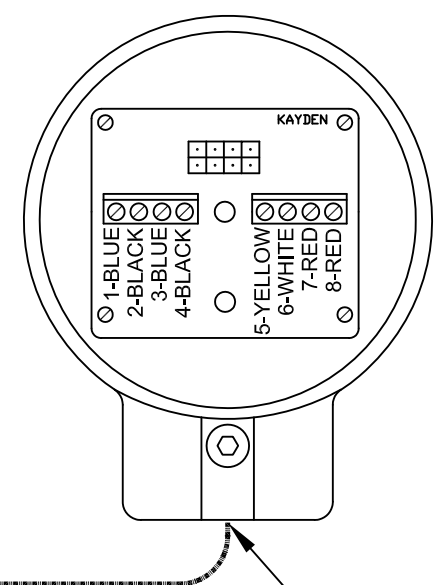
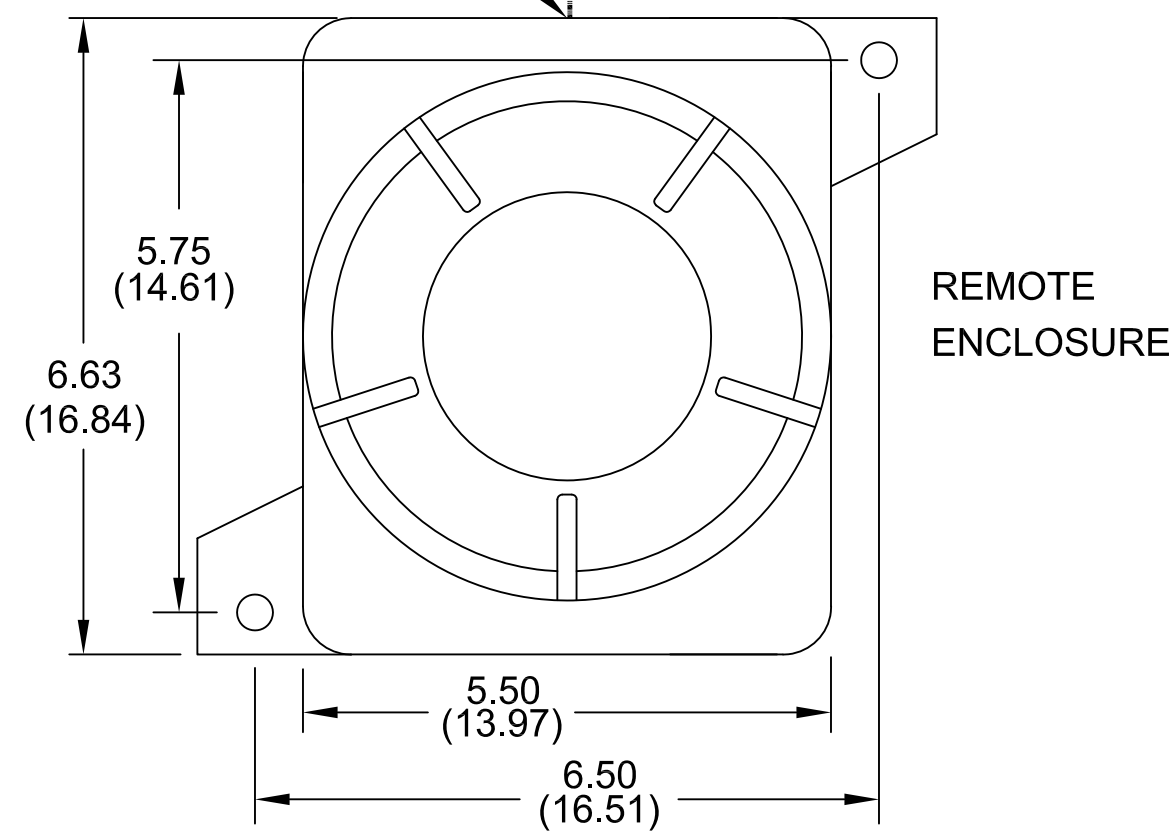
SIZE A3	DWG NO. D15-832-RA3-XXXXX-AV-1	REV 2
SCALE NTS		SHEET 1 OF 4



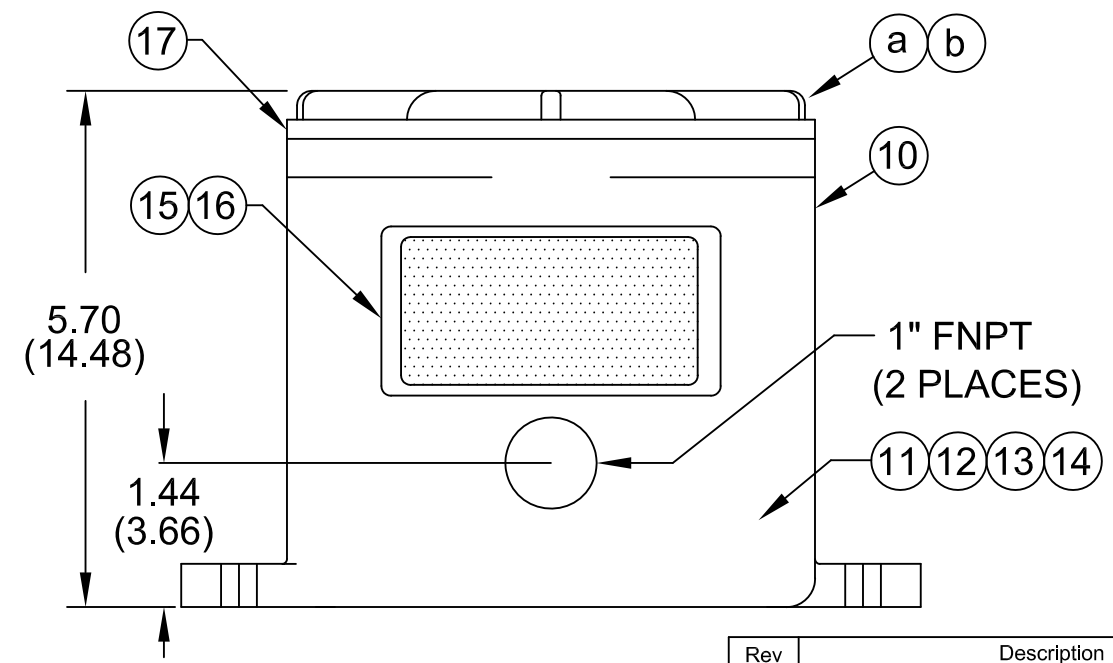
1" FNPT ELECTRONIC CONNECTION

FIELD WIRING

SENSOR ENCLOSURE



1" FNPT ELECTRICAL CONNECTION



Information contained in this document is confidential and proprietary information of Telematic Controls Inc. This document may not be reproduced or distributed for any reason without express written permission of Telematic Controls Inc. All rights of design, invention and copyright are reserved.

APPROVALS	DATE
DRN MW	13MAY13
CHKD EC	21MAY13
APP TDH	03JUN13

**KAYDEN**<sup>®</sup>  
INSTRUMENTS

All dimensions are shown in inches with cm shown in brackets

TOLERANCES ARE:

DECIMALS	ANGLES
.X ± 0.1	±0.5°
.XX ± 0.02	
.XXX ± 0.007	

TITLE: CLASSIC Series Remote Electronics Flameproof Enclosure (CSA)

SIZE A3 | DWG NO. 7730-0000-1-CSA | REV 0

SCALE NTS | SHEET 3 OF 4

Rev	Description	App.	Date
0	Initial release	TDH	03Jun13

**NOTES:**  
1. Wire according to connection diagram.

