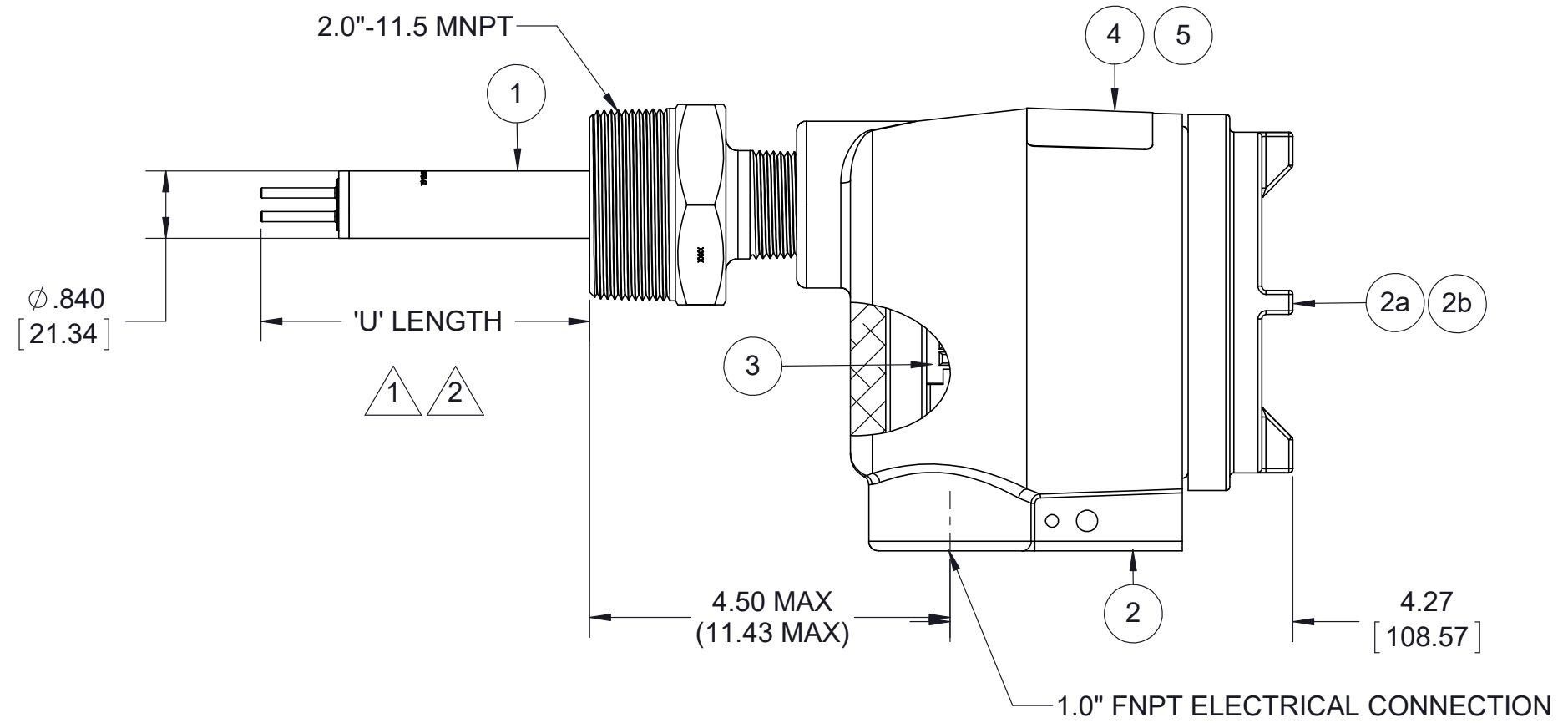
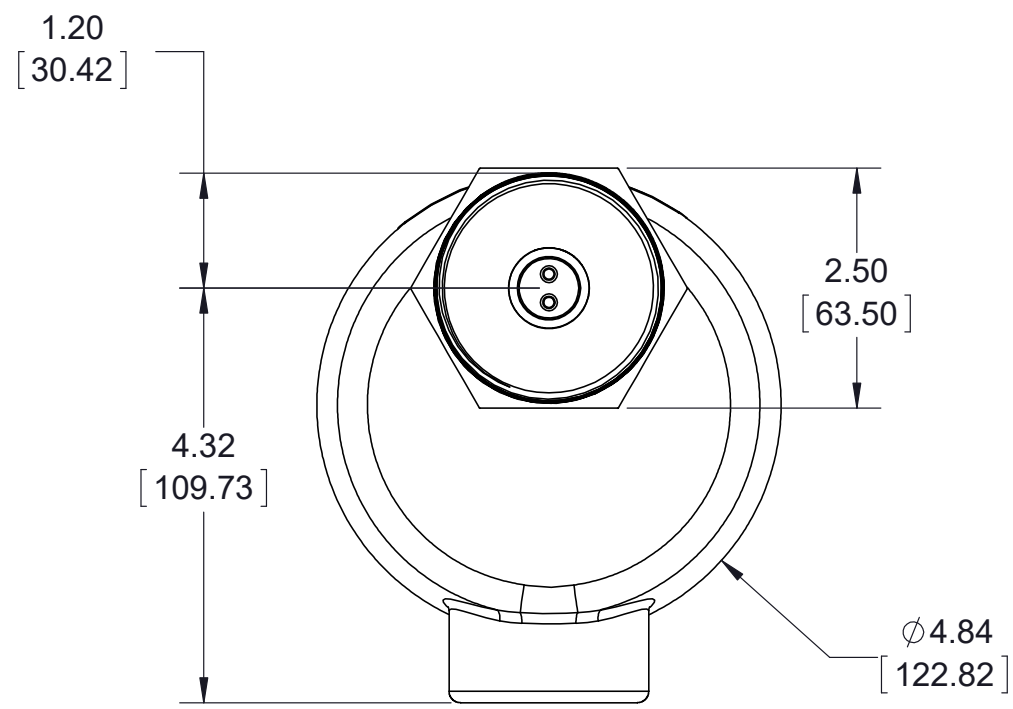


8 7 6 5 4 3 2 1

REVISIONS				
ZONE	REV.	DESCRIPTION	DATE	APPROVED
All	0	Initial Release	14MAY98	Chidley
	1	Edited text	08APR11	
	2	Changed footer note, added confidential note, modified title, title box and rev table. Deleted 24"U'.	03JUN13	
ALL	3	Updated probe dimensions	26OCT18	BT

D
C
B
A

D
C
B
A



NOTES:

- 1 Standard 'U' lengths available: 1.2", 2", 3", 4", 6", 9", 12" & 18"
- 2 Custom 'U' length:

UNLESS OTHERWISE SPECIFIED:		NAME	DATE
DIMENSIONS ARE IN INCHES	DRAWN	MW	13MAY13
TOLERANCES: ANGULAR: 0.5° ONE PLACE DECIMAL ±0.1 TWO PLACE DECIMAL ±0.02 THREE PLACE DECIMAL ±0.007	CHECKED	EC	17MAY13
INTERPRET GEOMETRIC TOLERANCING PER:	ENG APPR.	TDH	03JUN13
MATERIAL	COMMENTS:		
FINISH			
DO NOT SCALE DRAWING			



TITLE:
CLASSIC 810 Series
2" MNPT; 1.2", 2", 3", 4", 6", 9", 12" & 18" 'U'
Remote Electronics
Mounting Drawing

SIZE	DWG. NO.	REV
B	D15-810-RAH-XXXX-RE	3

8 7 6 5 4 3 2 1


ITEM	DESCRIPTION	PART NUMBER	QTY
*1	Sensor ; 2" MNPT	P02-RAHXXXX	1
2	Flameproof Enclosure (1 1/4" x 1" FNPT) c/w Terminal Assembly	N10-100A-FGH	1
a	<input type="checkbox"/> Glass Lens Cover - Flameproof	M10-1G00	1
b	<input checked="" type="checkbox"/> Blind Cover - Flameproof	M10-1B00	1
3	Remote Terminal Assembly For Sensor Enclosure	1790-0622-C	1
4	Nameplate, Foil	2400-0002	1
5	Nameplate, Overlay	2401-0001	1

***1. Sensor Assembly Selection Guide:**

P02-RAHXXXX Where XXXX = Desired 'U' Length in Inches.

eg. 1.2"U = P02-RAH0012	6"U = P02-RAH0060
2"U = P02-RAH0020	9"U = P02-RAH0090
3"U = P02-RAH0030	12"U = P02-RAH0120
4"U = P02-RAH0040	18"U = P02-RAH0180

Information contained in this document is confidential and proprietary information of Telematic Controls Inc. This document may not be reproduced or distributed for any reason without express written permission of Telematic Controls Inc. All rights of design, invention and copyright are reserved.

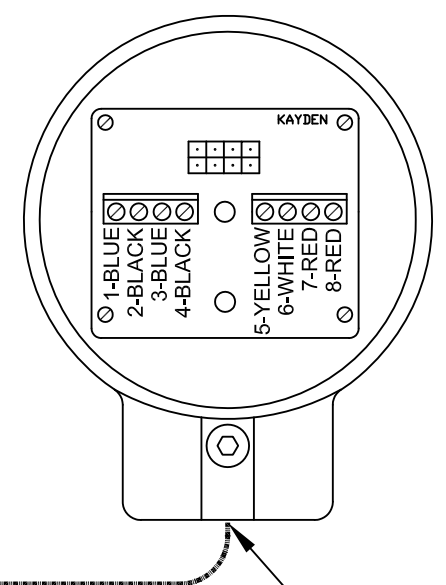
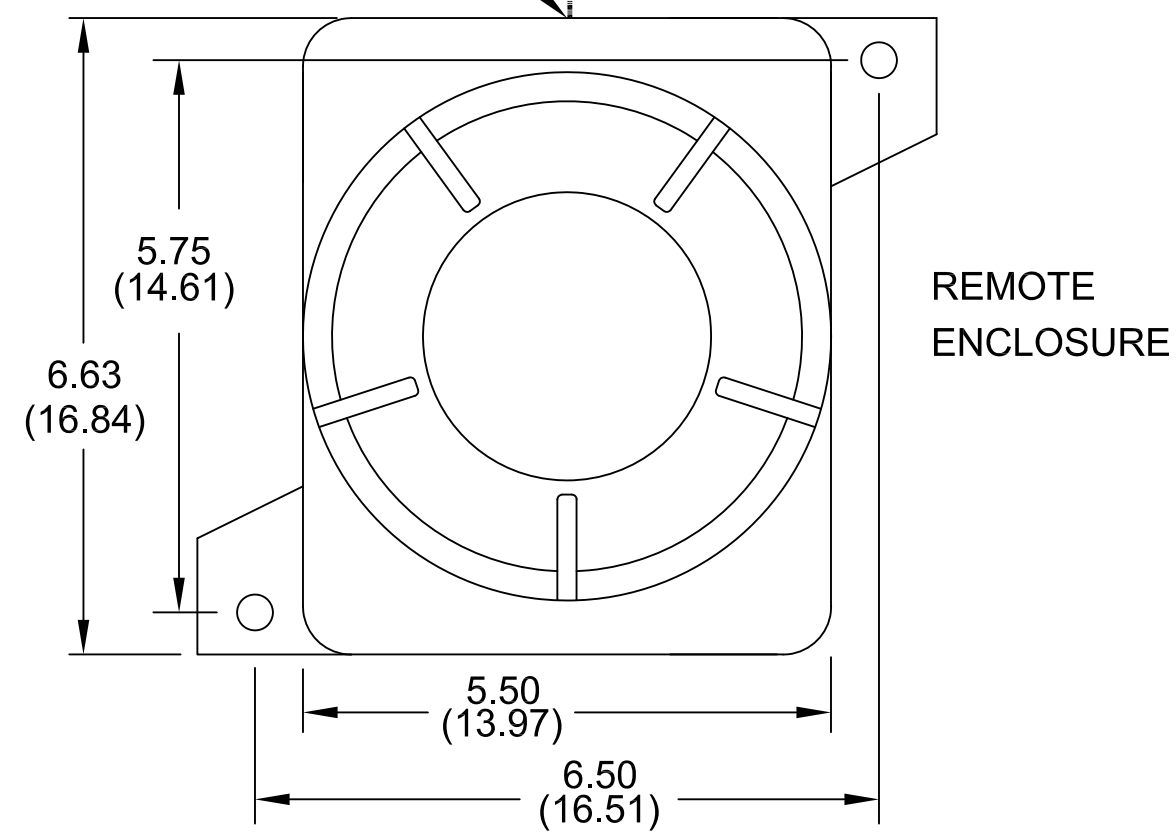
APPROVALS	DATE			
DRN MW	16MAY13			
CHKD EC	21MAY13			
APP TDH	03JUN13			
All dimensions are shown in inches with cm shown in brackets TOLERANCES ARE: DECIMALS ANGLES .X ± 0.1 ±0.5° .XX ± 0.02 .XXX ± 0.007		TITLE Parts List - CLASSIC 810 Series 2" MNPT; 1.2", 2", 3", 4", 6", 9", 12" & 18" 'U' Remote Sensor Assembly		
		SIZE A3	DWG NO. D15-810-RAH-XXX-RE	REV 3
		SCALE NTS	SHEET 2 OF 4	

Rev	Description	App.	Date
0	Initial release	HO	14Jun01
1	Edited text		08Apr11
2	Changed footer note. Added confidential note. Modified Title box & Rev. Table. Fixed DWG No.	TDH	03Jun13

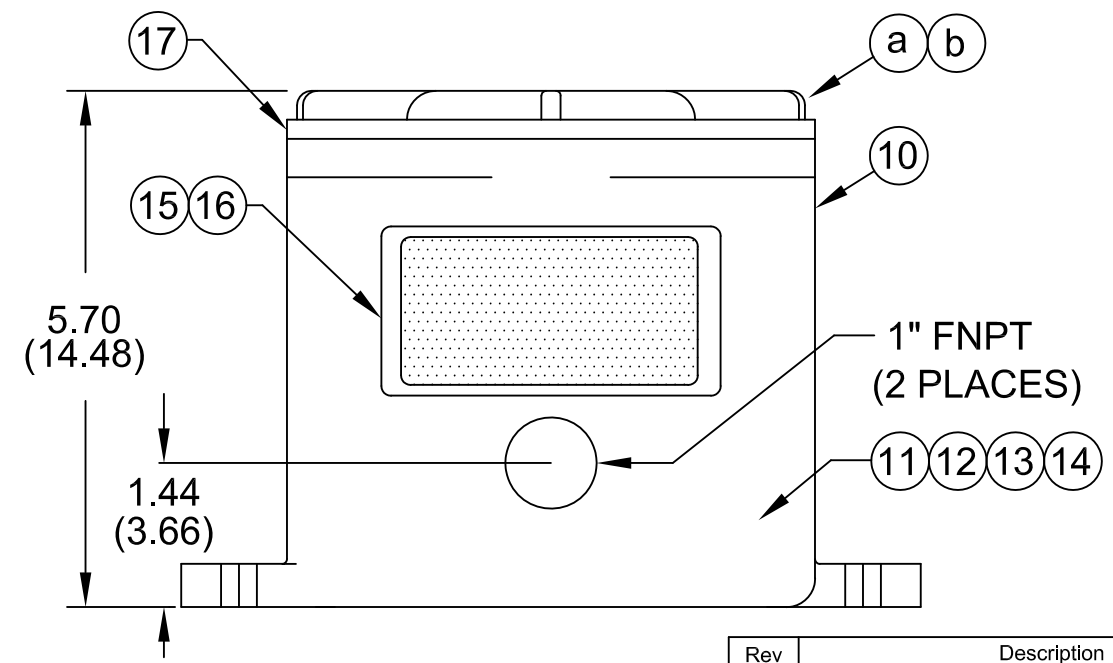
1" FNPT ELECTRONIC CONNECTION

FIELD WIRING

SENSOR ENCLOSURE



1" FNPT ELECTRICAL CONNECTION



Information contained in this document is confidential and proprietary information of Telematic Controls Inc. This document may not be reproduced or distributed for any reason without express written permission of Telematic Controls Inc. All rights of design, invention and copyright are reserved.

APPROVALS		DATE	
DRN	MW	13MAY13	
CHKD	EC	21MAY13	
APP	TDH	03JUN13	
All dimensions are shown in inches with cm shown in brackets TOLERANCES ARE: DECIMALS ANGLES .X ± 0.1 ±0.5° .XX ± 0.02 .XXX ± 0.007			TITLE CLASSIC Series Remote Electronics Flameproof Enclosure (CSA)
SIZE	DWG NO.	REV	
A3	7730-0000-1-CSA	0	
SCALE NTS		SHEET 3 OF 4	


Rev	Description	App.	Date
0	Initial release	TDH	03Jun13

NOTES:
1. Wire according to connection diagram.

ITEM	DESCRIPTION	PART NUMBER	QTY
10	Flameproof Remote Enclosure	1409-1201	1
a	<input type="checkbox"/> Glass Lens Cover - Flameproof	1409-1208	1
b	<input type="checkbox"/> Blind Cover - Flameproof	1409-1207	1
11	Terminal Assembly	2511-0012	1
12	Ground Screw	2540-0023	1
13	CLASSIC Electronics Module	L10-800-C-E	1
	(12-24 VDC, 115-230 VAC)		
14	Mounting Screws (316 SS)	2540-0007	2
15	Nameplate, Foil	2400-0007	1
16	Nameplate, Overlay	2401-0001	1
17	Cover Gasket	1499-1301	1

Information contained in this document is confidential and proprietary information of Telematic Controls Inc. This document may not be reproduced or distributed for any reason without express written permission of Telematic Controls Inc. All rights of design, invention and copyright are reserved.

Rev	Description	App.	Date
0	Initial release	TDH	03Jun13

APPROVALS		DATE	
DRN	MW	13MAY13	
CHKD	EC	21MAY13	
APP	TDH	03JUN13	
All dimensions are shown in inches with cm shown in brackets TOLERANCES ARE: DECIMALS ANGLES .X ± 0.1 ±0.5° .XX ± 0.02 .XXX ± 0.007			TITLE Parts List - CLASSIC Series Remote Electronics Flameproof Enclosure (CSA)
SIZE A3	DWG NO. 7730-0000-2-CSA		REV 0
SCALE NTS		SHEET 4 OF 4	