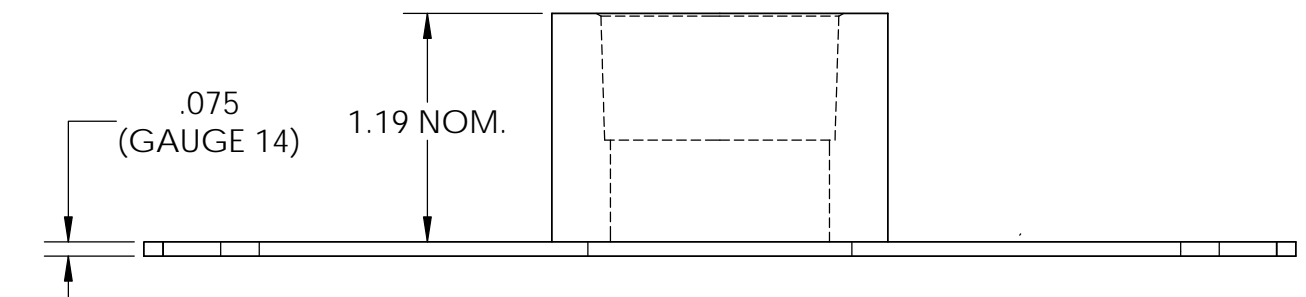
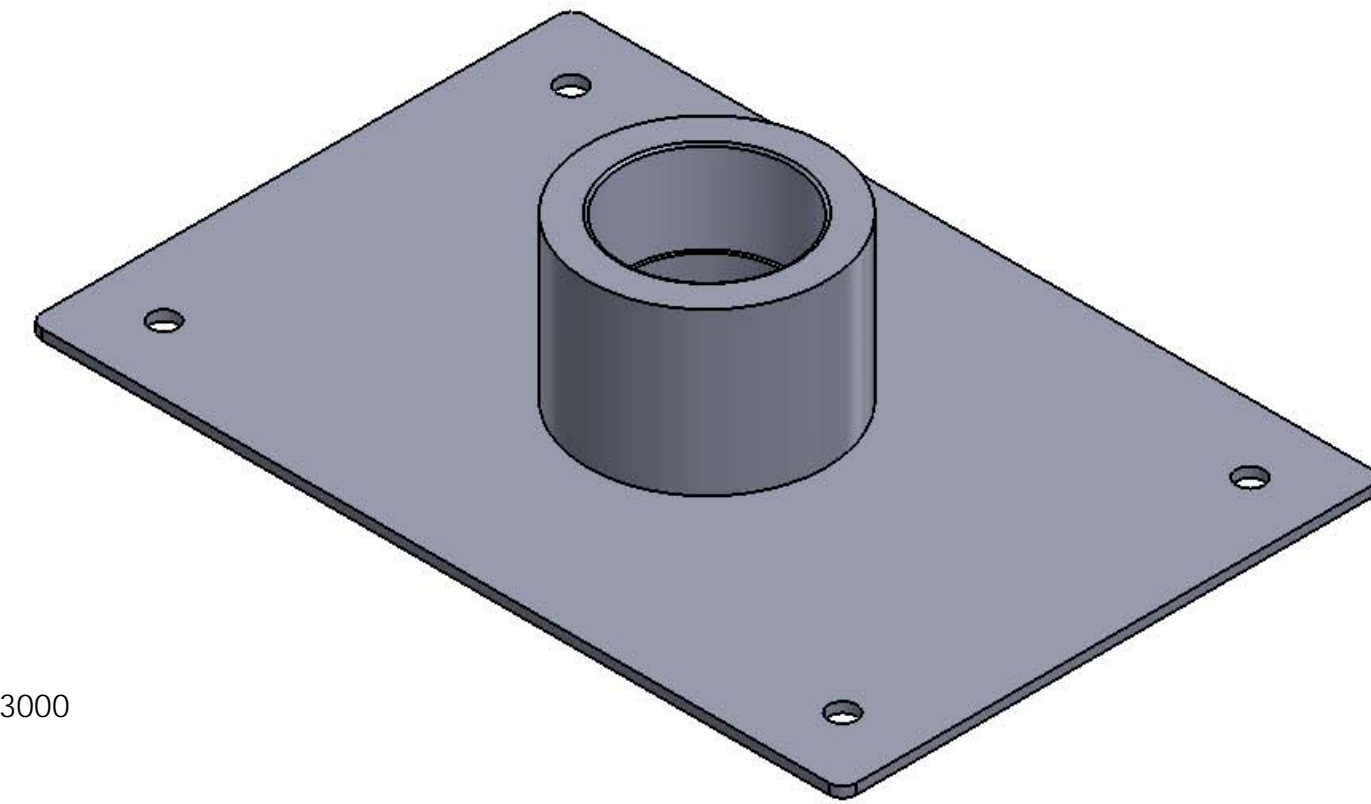
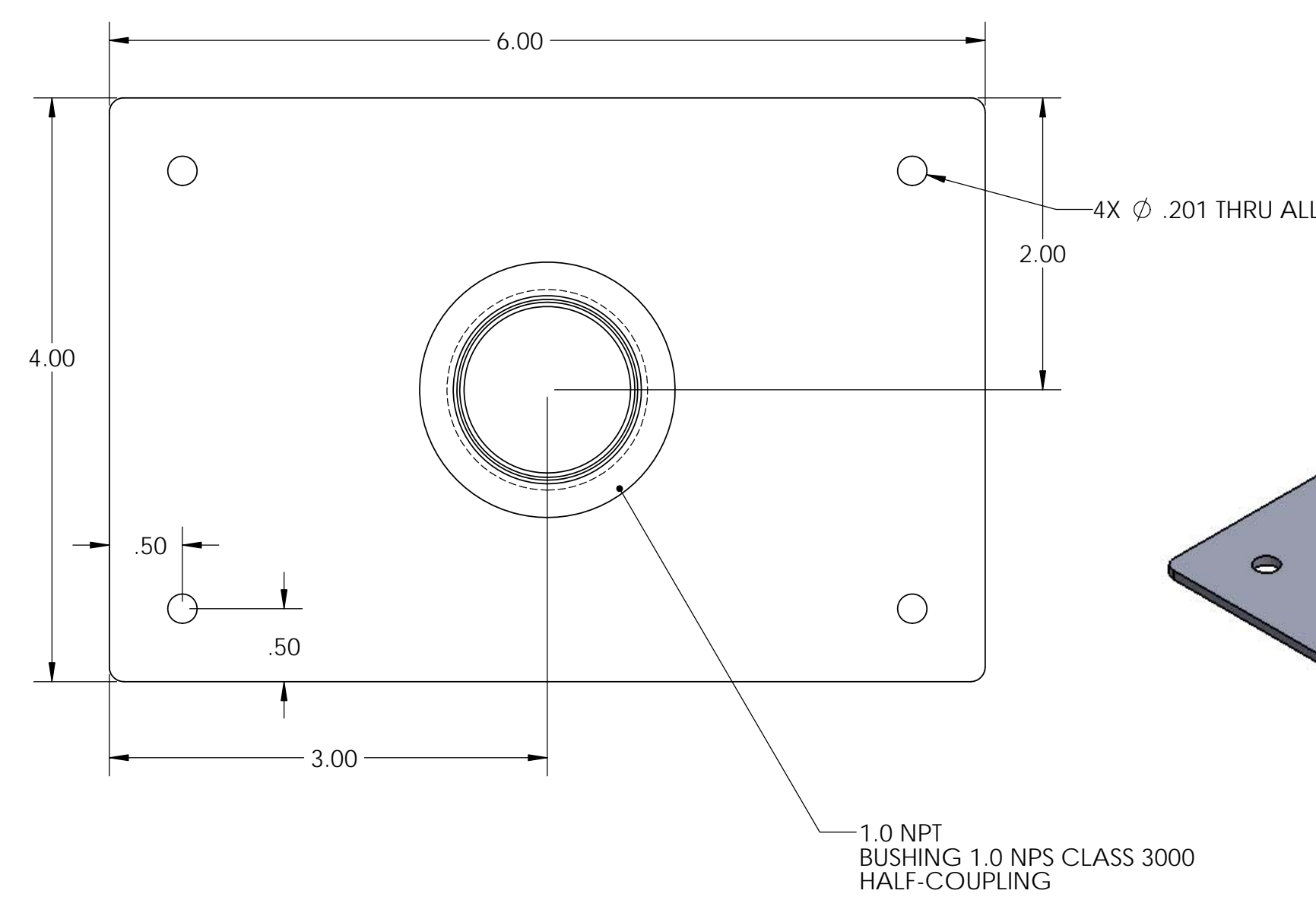


# OUTLINE DIMENSION DRAWING

REVISIONS				
ZONE	REV.	DESCRIPTION	DATE	APPROVED
	0	INITIAL RELEASE	09APR15	MR

BOM				
ITEM	QTY.	P/N - MATLIST	MATERIAL SPECIFICATION	DESCRIPTION
1	1	2551-0100-2	CARBON STEEL	SHEET SIZE 4.0 X 6.0, 14 GA OR 0.075" WITH A 1 - 1 1/2 NPT BUSHING 1 NPS CLASS 3000 HALF-COUPLING

CONSTRUCTION NOTES	
N°	DESCRIPTION
1	EPOXI POWDER COAT BLACK
2	HALF-COUPLING IS STANDARD AS PER ASME B16.11



UNLESS OTHERWISE SPECIFIED:		NAME	DATE
DIMENSIONS ARE IN INCHES		DRAWN	ECR 09APR15
TOLERANCES:		CHECKED	XXXX DDMMYY
FRACTIONAL ±1/64		ENG APPR.	XXXX DDMMYY
ANGULAR: 0.5° BEND ±n/a		MFG APPR.	BT 09APR15
ONE PLACE DECIMAL ±0.030		Q.A. APPR.	MR 09APR15
TWO PLACE DECIMAL ±0.015		COMMENTS:	
THREE PLACE DECIMAL ±0.005			

**PROPRIETARY AND CONFIDENTIAL**  
 INFORMATION CONTAINED IN THIS DOCUMENT IS CONFIDENTIAL AND PROPRIETARY INFORMATION OF TELEMATIC CONTROLS INC. THIS DOCUMENT MAY NOT BE REPRODUCED OR DISTRIBUTED FOR ANY REASON WITHOUT EXPRESS WRITTEN PERMISSION OF TELEMATIC CONTROLS INC. ALL RIGHTS OF DESIGN, INVENTION AND COPYRIGHT ARE RESERVED.

**KAYDEN®**  
 INSTRUMENTS  
 TITLE: 1.0 FNPT DUCT MOUNTING PLATE  
 SIZE: B DWG. NO.: 2551-0100-WEB REV: 0  
 SCALE: 1:2 WEIGHT: SHEET 1 OF 1