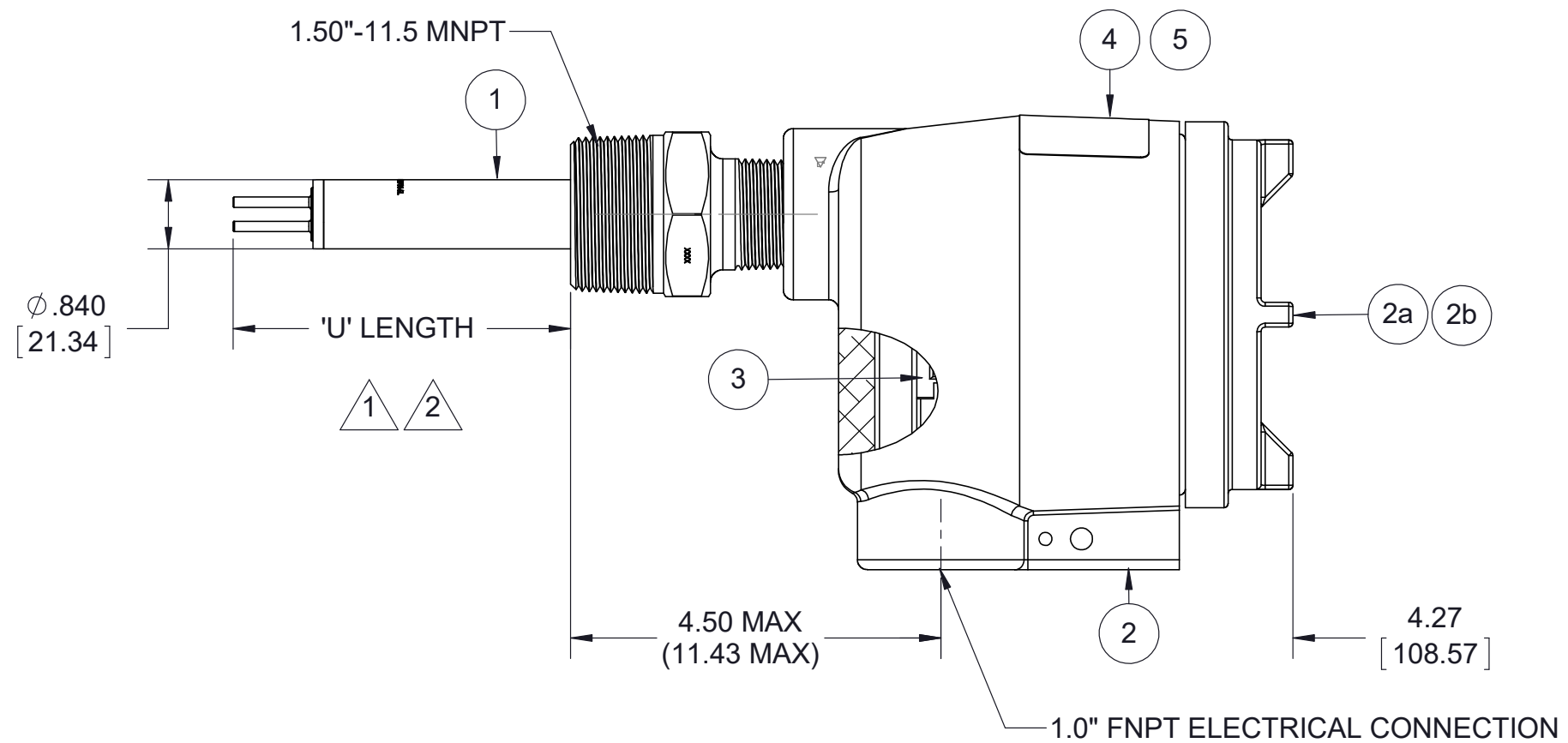
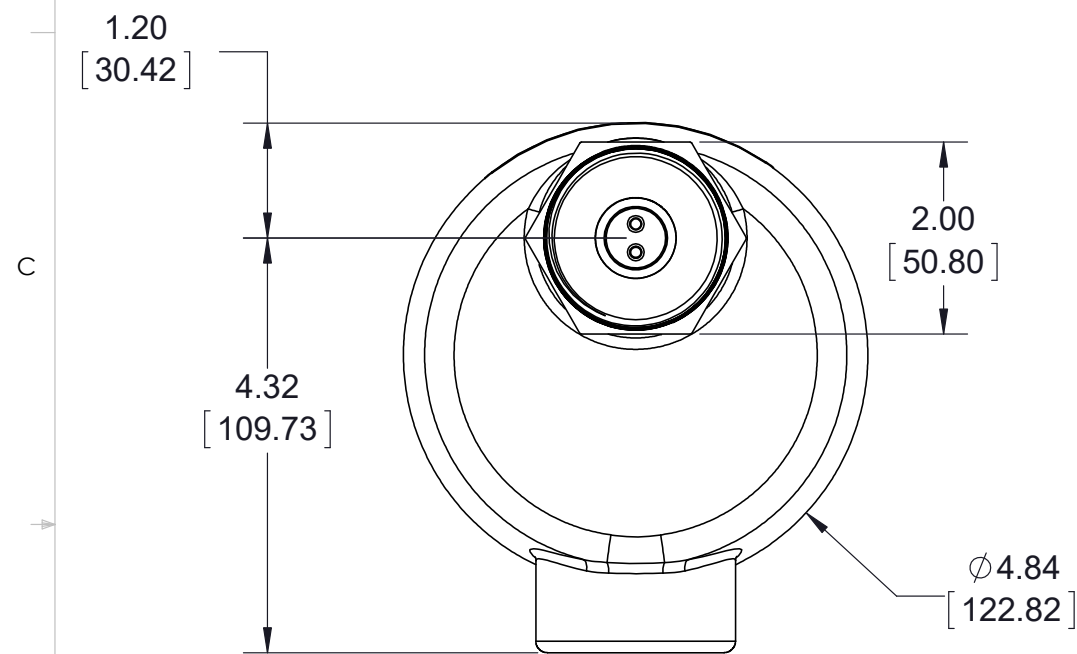


8 7 6 5 4 3 2 1

REVISIONS				
ZONE	REV.	DESCRIPTION	DATE	APPROVED
All	0	Initial Release	14MAY98	Chidley
	1	Edited text	08APR11	
	2	Changed footer note, added confidential note, modified title, title box and rev table. Deleted 24"U'.	03JUN13	TDH
ALL	3	Updated probe dimensions	26OCT18	BT



NOTES:

- 1 Standard 'U' lengths available: 1.2", 2", 3", 4", 6", 9", 12" & 18"
- 2 Custom 'U' length:

UNLESS OTHERWISE SPECIFIED:	NAME	DATE
DIMENSIONS ARE IN INCHES	DRAWN MW	14MAY13
TOLERANCES: ANGULAR: 0.5° ONE PLACE DECIMAL ±0.1 TWO PLACE DECIMAL ±0.02 THREE PLACE DECIMAL ±0.007	CHECKED EC	17MAY13
INTERPRET GEOMETRIC TOLERANCING PER:	ENG APPR. TDH	03JUN13
MATERIAL	COMMENTS:	
FINISH		
DO NOT SCALE DRAWING		



TITLE:
CLASSIC 810 Series
 1-1/2" MNPT; 1.2", 2", 3", 4", 6", 9", 12" & 18" 'U'
 Remote Electronics
 Mounting Drawing

SIZE	DWG. NO.	REV
B	D15-810-RAG-XXXX-RE	3

8 7 6 5 4 3 2 1


ITEM	DESCRIPTION	PART NUMBER	QTY
*1	Sensor ; 1 1/2" MNPT	P02-RAGXXXX	1
2	Flameproof Enclosure (1 1/4" x 1" FNPT)	N10-100A-FGH	1
	c/w Terminal Assembly		
a	<input type="checkbox"/> Glass Lens Cover - Flameproof	M10-1G00	1
b	<input checked="" type="checkbox"/> Blind Cover - Flameproof	M10-1B00	1
3	Remote Terminal Assembly For Sensor Enclosure	1790-0622-C	1
4	Nameplate, Foil	2400-0002	1
5	Nameplate, Overlay	2401-0001	1

***1. Sensor Assembly Selection Guide:**

P02-RAGXXXX Where XXXX = Desired 'U' Length in Inches.

- | | |
|-------------------------|--------------------|
| eg. 1.2"U = P02-RAG0012 | 6"U = P02-RAG0060 |
| 2"U = P02-RAG0020 | 9"U = P02-RAG0090 |
| 3"U = P02-RAG0030 | 12"U = P02-RAG0120 |
| 4"U = P02-RAG0040 | 18"U = P02-RAG0180 |

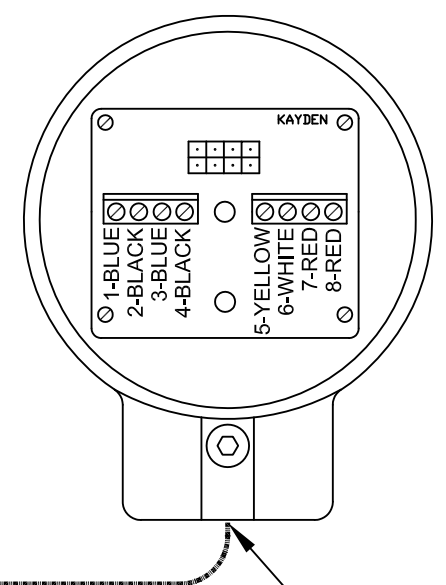
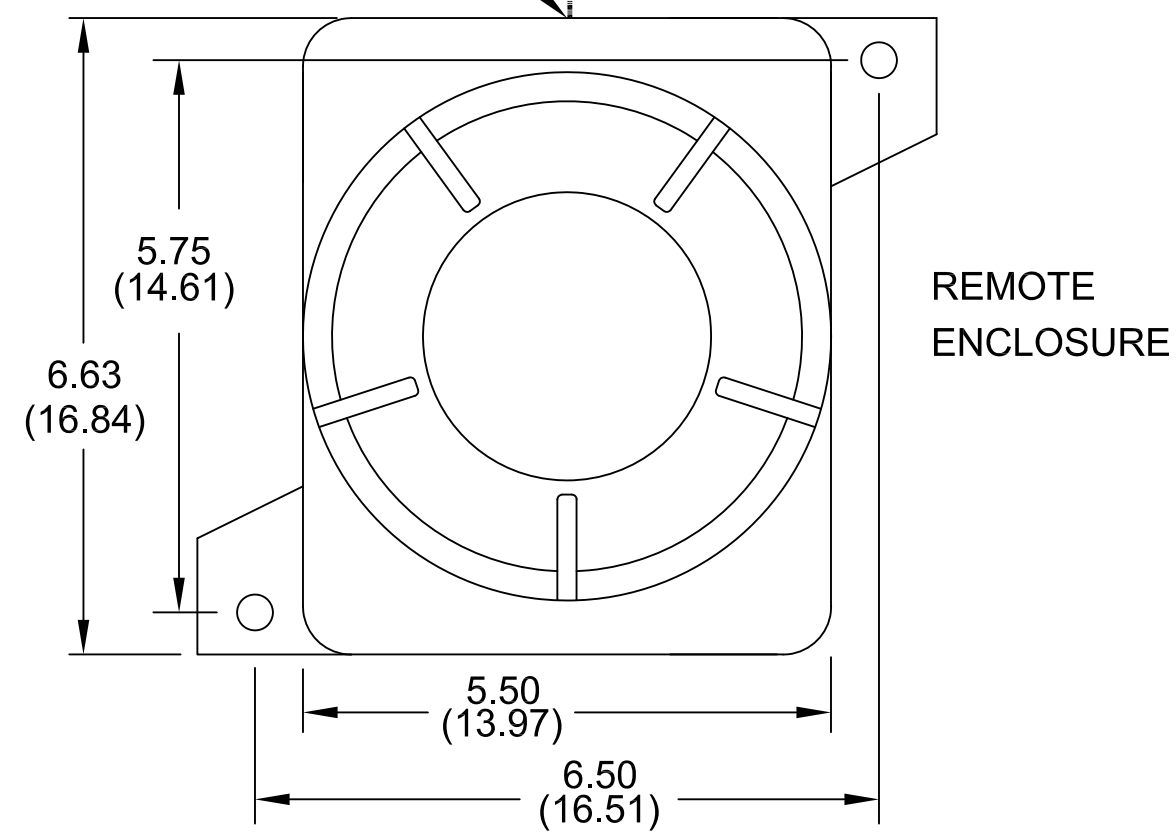
Information contained in this document is confidential and proprietary information of Telematic Controls Inc. This document may not be reproduced or distributed for any reason without express written permission of Telematic Controls Inc. All rights of design, invention and copyright are reserved.

				APPROVALS		DATE					
				DRN	MW	13MAY13					
				CHKD	EC	21MAY13					
				APP	TDH	03Jun13					
				All dimensions are shown in inches with cm shown in brackets				TITLE Part List - CLASSIC 810 Series 1 1/2" MNPT; 1.2", 2", 3", 4", 6", 9", 12" & 18" 'U' Remote Sensor Assembly			
				TOLERANCES ARE: DECIMALS							
				.X ± 0.1				ANGLES ±0.5°			
				.XX ± 0.02							
				.XXX ± 0.007							
Rev	Description	App.	Date	SIZE		DWG NO.		REV			
0	Initial release	HO	14Jun01	A3		D15-810-RAG-XXXX-RE		3			
1	Edited text		08Apr11	SCALE		NTS		SHEET 2 OF 4			
2	Changed footer note. Added Confidential note. Modified Title box & Rev. Table.	TDH	03Jun13								
3	Updated probe dimensions	BT	26Oct18								

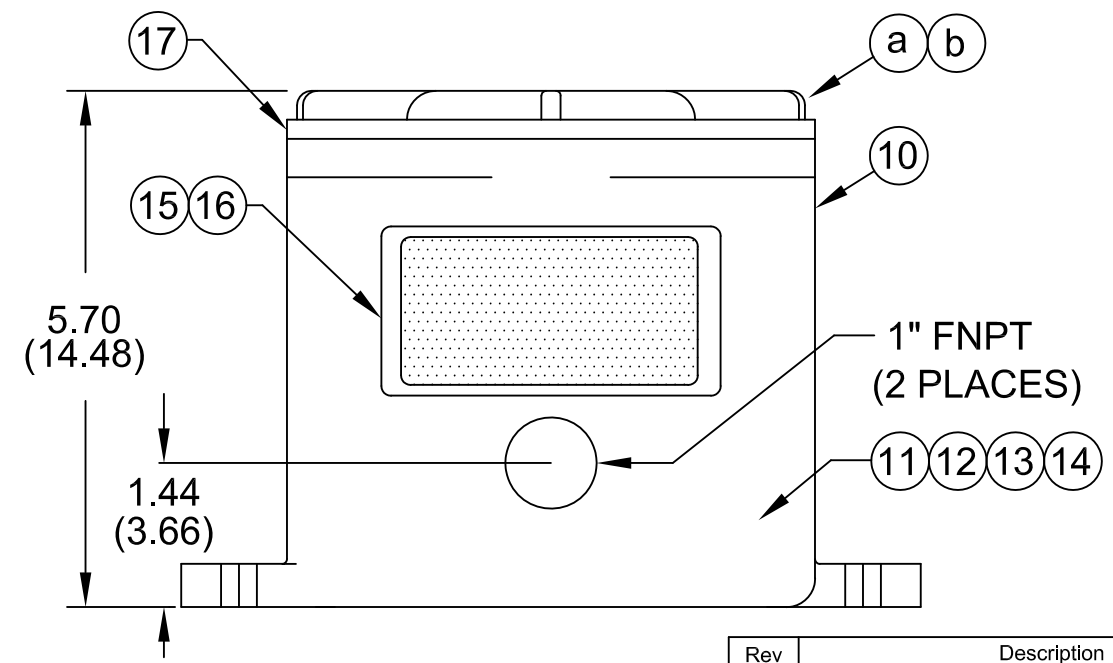
1" FNPT ELECTRONIC CONNECTION

FIELD WIRING

SENSOR ENCLOSURE



1" FNPT ELECTRICAL CONNECTION



Information contained in this document is confidential and proprietary information of Telematic Controls Inc. This document may not be reproduced or distributed for any reason without express written permission of Telematic Controls Inc. All rights of design, invention and copyright are reserved.


APPROVALS		DATE	
DRN	MW	13MAY13	
CHKD	EC	21MAY13	
APP	TDH	03JUN13	
All dimensions are shown in inches with cm shown in brackets TOLERANCES ARE: DECIMALS ANGLES .X ± 0.1 ±0.5° .XX ± 0.02 .XXX ± 0.007			TITLE CLASSIC Series Remote Electronics Flameproof Enclosure (CSA)
SIZE	DWG NO.		REV
A3	7730-0000-1-CSA		0
SCALE NTS		SHEET 3 OF 4	

Rev	Description	App.	Date
0	Initial release	TDH	03Jun13

NOTES:
1. Wire according to connection diagram.

ITEM	DESCRIPTION	PART NUMBER	QTY
10	Flameproof Remote Enclosure	1409-1201	1
a	<input type="checkbox"/> Glass Lens Cover - Flameproof	1409-1208	1
b	<input type="checkbox"/> Blind Cover - Flameproof	1409-1207	1
11	Terminal Assembly	2511-0012	1
12	Ground Screw	2540-0023	1
13	CLASSIC Electronics Module (12-24 VDC, 115-230 VAC)	L10-800-C-E	1
14	Mounting Screws (316 SS)	2540-0007	2
15	Nameplate, Foil	2400-0007	1
16	Nameplate, Overlay	2401-0001	1
17	Cover Gasket	1499-1301	1

Information contained in this document is confidential and proprietary information of Telematic Controls Inc. This document may not be reproduced or distributed for any reason without express written permission of Telematic Controls Inc. All rights of design, invention and copyright are reserved.

<table border="1"> <thead> <tr> <th>Rev</th> <th>Description</th> <th>App.</th> <th>Date</th> </tr> </thead> <tbody> <tr> <td>0</td> <td>Initial release</td> <td>TDH</td> <td>03Jun13</td> </tr> <tr> <td></td> <td></td> <td></td> <td></td> </tr> <tr> <td></td> <td></td> <td></td> <td></td> </tr> <tr> <td></td> <td></td> <td></td> <td></td> </tr> <tr> <td></td> <td></td> <td></td> <td></td> </tr> <tr> <td></td> <td></td> <td></td> <td></td> </tr> <tr> <td></td> <td></td> <td></td> <td></td> </tr> <tr> <td></td> <td></td> <td></td> <td></td> </tr> <tr> <td></td> <td></td> <td></td> <td></td> </tr> <tr> <td></td> <td></td> <td></td> <td></td> </tr> <tr> <td></td> <td></td> <td></td> <td></td> </tr> <tr> <td></td> <td></td> <td></td> <td></td> </tr> <tr> <td></td> <td></td> <td></td> <td></td> </tr> </tbody> </table>			Rev	Description	App.	Date	0	Initial release	TDH	03Jun13																																																	<table border="1"> <thead> <tr> <th>APPROVALS</th> <th>DATE</th> </tr> </thead> <tbody> <tr> <td>DRN MW</td> <td>13MAY13</td> </tr> <tr> <td>CHKD EC</td> <td>21MAY13</td> </tr> <tr> <td>APP TDH</td> <td>03JUN13</td> </tr> </tbody> </table>		APPROVALS	DATE	DRN MW	13MAY13	CHKD EC	21MAY13	APP TDH	03JUN13		
Rev	Description	App.	Date																																																																			
0	Initial release	TDH	03Jun13																																																																			
APPROVALS	DATE																																																																					
DRN MW	13MAY13																																																																					
CHKD EC	21MAY13																																																																					
APP TDH	03JUN13																																																																					
<p>All dimensions are shown in inches with cm shown in brackets</p> <p>TOLERANCES ARE:</p> <table border="1"> <tr> <th>DECIMALS</th> <th>ANGLES</th> </tr> <tr> <td>.X ± 0.1</td> <td rowspan="3">±0.5°</td> </tr> <tr> <td>.XX ± 0.02</td> </tr> <tr> <td>.XXX ± 0.007</td> </tr> </table>		DECIMALS	ANGLES	.X ± 0.1	±0.5°	.XX ± 0.02	.XXX ± 0.007	<table border="1"> <tr> <td>TITLE</td> <td colspan="2" rowspan="2" style="text-align: center;"> Parts List - CLASSIC Series Remote Electronics Flameproof Enclosure (CSA) </td> </tr> <tr> <td>SIZE A3</td> </tr> </table>		TITLE	Parts List - CLASSIC Series Remote Electronics Flameproof Enclosure (CSA)		SIZE A3																																																									
		DECIMALS	ANGLES																																																																			
.X ± 0.1	±0.5°																																																																					
.XX ± 0.02																																																																						
.XXX ± 0.007																																																																						
TITLE	Parts List - CLASSIC Series Remote Electronics Flameproof Enclosure (CSA)																																																																					
SIZE A3																																																																						
<table border="1"> <tr> <td>DWG NO.</td> <td style="text-align: center;">7730-0000-2-CSA</td> <td>REV 0</td> </tr> <tr> <td>SCALE NTS</td> <td></td> <td>SHEET 4 OF 4</td> </tr> </table>		DWG NO.	7730-0000-2-CSA	REV 0	SCALE NTS		SHEET 4 OF 4																																																															
DWG NO.	7730-0000-2-CSA	REV 0																																																																				
SCALE NTS		SHEET 4 OF 4																																																																				